

Excellent Integrated System Limited

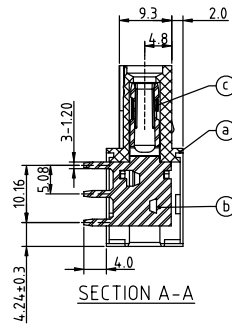
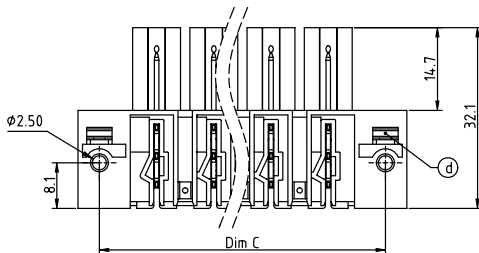
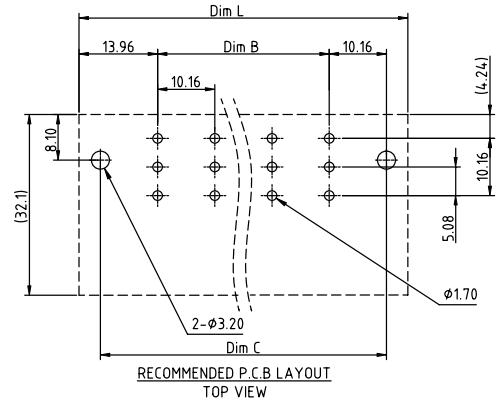
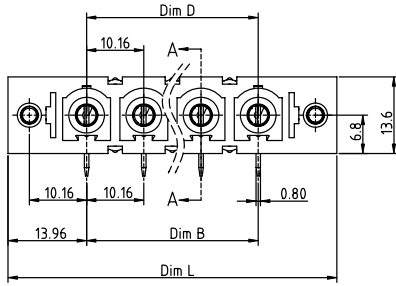
Stocking Distributor

Click to view price, real time Inventory, Delivery & Lifecycle Information:

[FCI](#)
[KL02625100J0G](#)

For any questions, you can email us directly:
sales@integrated-circuit.com

PRODUCT NUMBER	PITCH
KLxx62x100J0G	10.16 mm



Material:

- Item (A) Terminal(housing): Thermoplastic(UL94-V0)
- Item (B) Pin: Copper Tin plated
- Item (C) Wire guard:Stainless Steel
- Item (D) With flange nut: Steel zinc plated M3

Electrical: cULus / IEC

- Voltage rating: 300V/1000V
- Current rating: 55A / 76A
- Withstanding Voltage: 1.6 KV / 8 KV
- Operating temperature: -40°C to +115°C
- Soldering temperature: 260°C±5°C/5 Sec
- Safety Approval: cULus

DIMENSION

Dim L	(N-1)×10.16+27.92
Dim B	(N-1)×10.16
Dim C	(N-1)×10.16+20.32
Dim D	(N-1)×10.16

N=Number of poles

Poles	Tolerance
2p-6p	±0.25
7p-12p	±0.35

PART NO.: KL xx 62 x 1 00J0 G

Solid block	0	Color	0	Black (RAL9005)	RoHS compliant
No. of poles	2		2	Red (RAL3001/D)	(lead<4%)
02 2poles	3		3	Orange(RAL2011/P)	In copper Alloy
03 3poles	4		4	Yellow(RAL1018/A)	
...	5		5	Green(RAL6018/T)	
...	6		6	Blue (RAL5015/A)	
12 12poles	8		8	Grey(RAL7035/D)	
	9		9	White(RAL1102)	
	C		C	Green(RAL6018/U)	

mat'l. code	surface ASME Y14.5	tolerance ASME Y14.5	projection	product family	TERMINAL BLOCK
ltr	ecn no	dr	date	title	
tolerances unless otherwise specified				TERMINAL BLOCK PLUGGABLE PCB PLUG WITH FLANGE RIGHT ANGLE UNDER PCB MOUNTING	
angles	X.±0.5		MM	dwg no	
line	X.X±0.3		scale	sheet 1 of 1	
X'±1'	X.XX±0.1		FCI	KLxx62x100J0G	
dr	EVIN ZHONG	050314		size	
enrg	EVIN ZHONG	050314		A4	
chr	HANKE FENG	050314		type	
appd	SHI JUN	050314		CUSTOMER Drawing	
sheet index	revision sheet	A	1		