

Excellent Integrated System Limited

Stocking Distributor

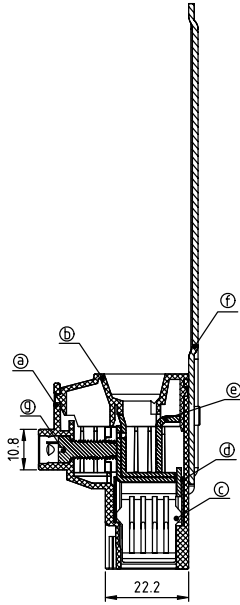
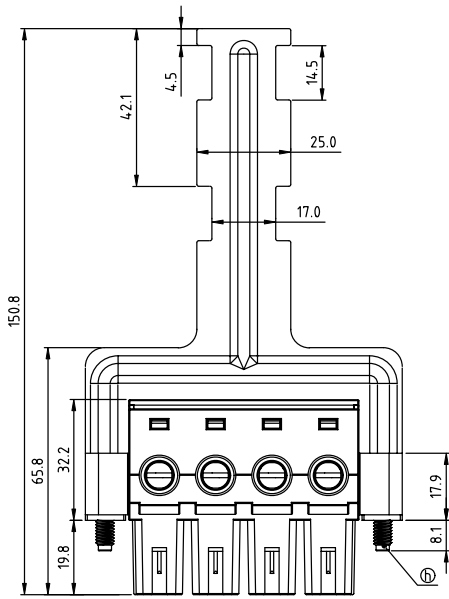
Click to view price, real time Inventory, Delivery & Lifecycle Information:

[FCI](#)
[KX04C15200J0G](#)

For any questions, you can email us directly:

sales@integrated-circuit.com

PRODUCT NUMBER	PITCH
KX04C1x200J0G	15.00 mm

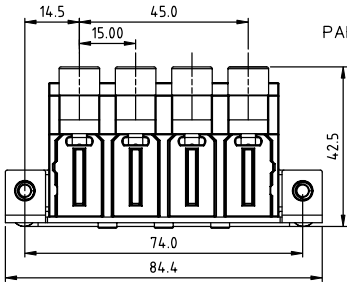


Material:

- Item (a) Terminal housing: Thermoplastic (UL94V-0)
- Item (b) Terminal cover: Thermoplastic (UL94V-0)
- Item (c) Female contact: Copper, Tin plated
- Item (d) Wire guard: Stainless Steel
- Item (e) Clamp: Steel, Zinc plated
- Item (f) Handle: Steel t=1.5mm, Zinc plated
- Item (g) Terminal screw: Steel, Zinc plating"-slot type,M5
- Item (h) With flange screw: Steel, Zinc plating"*pozi type,M5

Electrical:

- Voltage rating: 600 V
- Current rating: 115 A
- Wire range:
- Solid wire(AWG): 2-20
- Stranded wire(AWG): 2-20
- Torque(Lb-In): 36.5
- Screw: M5
- Wire strip length: 19-20mm
- Withstanding Voltage: 2.2 KV
- Operating temperature: -40°C to +115°C
- Safety Approval: us



PART NO.: KX 04 C 1 x 2 00J0 G

- | | |
|---------------------|-----------------|
| Color | RoHS compliant |
| 0 Black (RAL9005) | (lead<4%) |
| 2 Red (RAL3001/D) | In copper Alloy |
| 3 Orange(RAL2011/P) | |
| 4 Yellow(RAL1018/A) | |
| 5 Green(RAL6018/T) | |
| 6 Blue (RAL5015/A) | |
| 8 Grey(RAL7035/D) | |
| 9 White(RAL1102) | |
| C Green(RAL6018/U) | |

mat'l. code	surface ASME Y14.5	tolerance ASME Y14.5	projection 	product family TERMINAL BLOCK
tr	ec	no	dr	date
tolerances unless otherwise specified				title TERMINAL BLOCK
angles	X.±0.5			PLUGGABLE PLUG WITH FLANGE AND HANDLE
line	X.X±0.3			sheet 1 of 1
	X.XX±0.1			size A4
dr	EVIN ZHONG	050914		dwg no KX04C1x200J0G
enr	EVIN ZHONG	050914		sheet 1 of 1
chr	HANKE FENG	050914		size A4
appd	SHI JUN	050914		type CUSTOMER Drawing
sheet index	revision sheet	A	1	