

Excellent Integrated System Limited

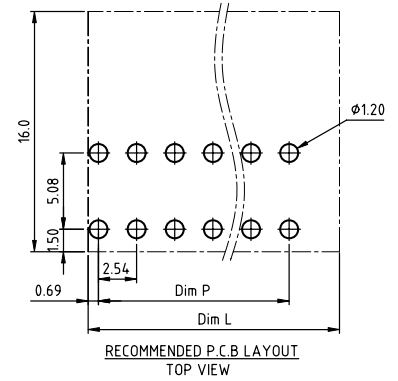
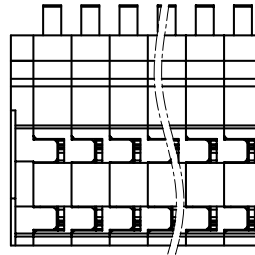
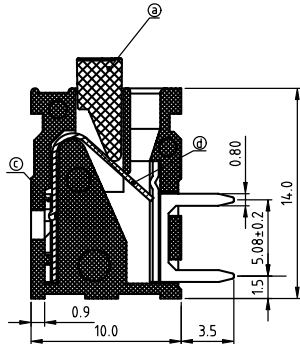
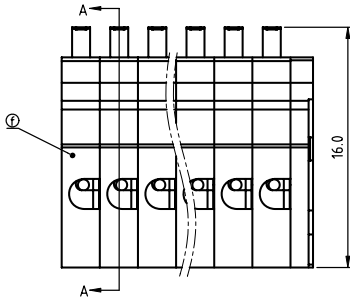
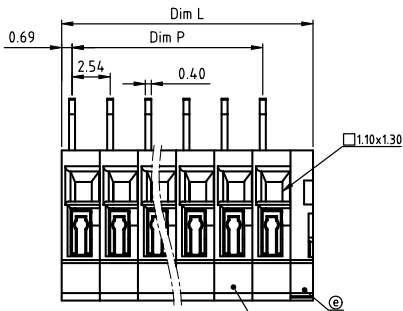
Stocking Distributor

Click to view price, real time Inventory, Delivery & Lifecycle Information:

[FCI](#)
[NA02518000J0G](#)

For any questions, you can email us directly:
sales@integrated-circuit.com

PRODUCT NUMBER	PITCH
NAxx51x000JOG	2.54mm



- Material:
- Item@Lever: Thermoplastic(UL94V-0)
 - Item@Terminal normal housing: Thermoplastic(UL94V-0)
 - Item@Solder pin: Brass Tin plated
 - Item@Spring clamp: Stainless steel
 - Item@Terminal cover: Thermoplastic(UL94V-0)
 - Item@Terminal side housing: Thermoplastic(UL94V-0)

- Electrical
- Voltage rating: 150V
 - Current rating: 3A
 - Wire range:
 - Solid wire(AWG): 20-28
 - Stranded wire(AWG): 20-28
 - Wire strip length: 9-10mm
 - Withstanding Voltage: 1.3KV
 - Operating temperature: -40°C to +115°C
 - Soldering temperature: 260°C±5°C/5 Sec
 - Safety Approval:

N=Number of poles
Dim L=Nx2.54+1.5
Dim P=(N-1)x2.54

POLES	Dim L	Dim P
1p	±0.10	
2-6p	±0.20	±0.20
7-12p	±0.25	±0.25
13-24p	±0.30	±0.30

PART NO.: NA xx 51 x 000JOG

- | | | | | |
|---------------|-----|-------|--------------------|-----------------|
| No. of poles | 0 | Color | Black (RAL9005) | RoHS compliant |
| End Stackable | 2 | | Red (RAL3001/D) | (lead-4%) |
| 01 1 poles | 3 | | Orange(RAL2011/P) | In copper Alloy |
| 02 2 poles | 4 | | Yellow(RAL1018/A) | |
| ... | ... | | 5 Green(RAL6018/T) | |
| 24 24 poles | 6 | | 6 Blue (RAL5015/A) | |
| | 8 | | 8 Grey(RAL7004/P) | |
| | 9 | | 9 White(RAL1102) | |
| | C | | Multiple colors | |

mat'l. code	surface ASME Y14.5	tolerance ASME Y14.5	projection	product family
ltr ecn no dr date	tolerances unless otherwise specified			TERMINAL BLOCK
angles	X.±0.5		MM	title
X'±1'	X.X±0.3			TERMINAL BLOCK
	X.XX±0.1		scale	SPRING CLAMP,180D WIRE INLET,A TYPE
dr	EVIN ZHONG	060314		dwg no
enr	EVIN ZHONG	060314		sheet 1 of 1
chr	HANKE FENG	060314		size
appd	SHI JUN	060314		A4
sheet index	revision sheet	A 1		type
				CUSTOMER Drawing