

Excellent Integrated System Limited

Stocking Distributor

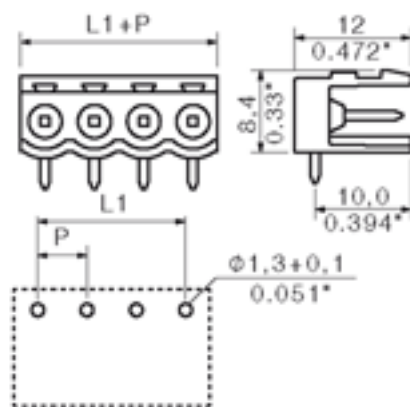
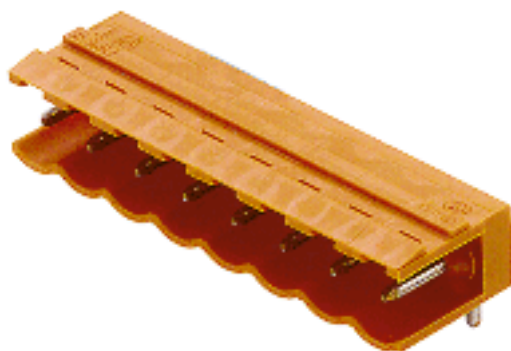
Click to view price, real time Inventory, Delivery & Lifecycle Information:

[Weidmüller](#)
[1571260000](#)

For any questions, you can email us directly:

sales@integrated-circuit.com

Product catalogue | PCB connection systems | PCB plug-in connectors | Pitch 5.00 / 5.08 mm (0.197 / 0.200 inch) | Plug connectors, solder connection, pitch 5.00/5.08 | SL 5.00-5.08/90 | SL 5.00/90



General ordering data

Order No.	1571260000
Part designation	SL 5.00/16/90 3.2SN OR
Version	PCB plug-in connector, Male connectors, Soldered connection, Pitch: 5.00 mm, No. of poles: 16, 90°, Box
EAN	4008190136192
Qty.	50 pc(s).

System parameters

Fitted to PCB	Soldered connection
Outgoing elbow	90°
Pitch	5 mm
Pitch in inch	0.197 inch
No. of poles	16
Solder pin length	3.2 mm
Can be coded	Yes
No. of rows	1
No. of solder pins per pole	1
Dia. of fitting hole	1.3 mm
Fitting hole tolerance	+ 0.1 mm
L1 in mm	75 mm
L1 in inch	2.953 inch
Insulation resistance	1 MΩ

Product catalogue | PCB connection systems | PCB plug-in connectors | Pitch 5.00 / 5.08 mm (0.197 / 0.200 inch) | Plug connectors, solder connection, pitch 5.00/5.08 | SL 5.00-5.08/90 | SL 5.00/90

System parameters

Electric shock protection to DIN VDE 0470	IP20 plugged
Electric shock protection to DIN VDE 0470	Safe from finger touch, plugged

Material data

Insulating material	PBT
Colour	orange
colour chart	Similar to RAL 2000
Insulating material group	IIIa
Flammability class UL 94	V-0
CTI	>= 200
Contact base material	CuSn
Contact surface	tinned
Constant operating temp., min.	-25 °C
Constant operating temp., max.	100 °C
Storage temperature, min.	-25 °C
Storage temperature, max.	55 °C
Max. relative humidity during storage	80 %

DIN IEC rating data

Rated current, min. No. pins (Tu=20°C)	18 A
Rated current, max. No. pins (Tu=20°C)	14.5 A
Rated current, min. No. pins (Tu=40°C)	15 A
Rated current, max. No. pins (Tu=40°C)	12 A
Rated voltage for overvoltage class/pollution severity III/3	250 V
Rated impulse withstand voltage for overvoltage class/pollution severity III/3	4 kV
Rated voltage for overvoltage class/pollution severity III/2	320 V
Rated impulse withstand voltage for overvoltage class/pollution severity III/2	4 kV
Rated voltage for overvoltage class/pollution severity II/2	400 V
Rated impulse withstand voltage for overvoltage class/pollution severity II/2	4 kV
Short-time withstand current resistance	3 x 1s with 120 A

CSA rating data

Rated voltage (Use group D)	300 V
Rated current (Use group D)	10 A

UL 1059 rating data

Rated voltage (Use group D)	300 V
Rated current (Use group D)	10 A

Approvals

Approvals institutes



Downloads

CAD Library (P-CAD Format - Standard) SL.LIB

Classifications

ETIM 2.0	NK
ETIM 3.0	EC001284
eClass 4.1	27-26-07-01
eClass 5.0	27-26-07-01
eClass 5.1	27-26-07-04

Similar products

Order No.	Part designation	Version
1571130000	SL 5.00/2/90 3.2SN OR	PCB plug-in connector, Male connectors, Soldered connection, Pitch: 5.00 mm, No. of poles: 2, 90°, Box
1571140000	SL 5.00/3/90 3.2SN OR	PCB plug-in connector, Male connectors, Soldered connection, Pitch: 5.00 mm, No. of poles: 3, 90°, Box
1571150000	SL 5.00/4/90 3.2SN OR	PCB plug-in connector, Male connectors, Soldered connection, Pitch: 5.00 mm, No. of poles: 4, 90°, Box
1571160000	SL 5.00/5/90 3.2SN OR	PCB plug-in connector, Male connectors, Soldered connection, Pitch: 5.00 mm, No. of poles: 5, 90°, Box
1571170000	SL 5.00/6/90 3.2SN OR	PCB plug-in connector, Male connectors, Soldered connection, Pitch: 5.00 mm, No. of poles: 6, 90°, Box
1571180000	SL 5.00/7/90 3.2SN OR	PCB plug-in connector, Male connectors, Soldered connection, Pitch: 5.00 mm, No. of poles: 7, 90°, Box
1571190000	SL 5.00/8/90 3.2SN OR	PCB plug-in connector, Male connectors, Soldered connection, Pitch: 5.00 mm, No. of poles: 8, 90°, Box
1571210000	SL 5.00/10/90 3.2SN OR	PCB plug-in connector, Male connectors, Soldered connection, Pitch: 5.00 mm, No. of poles: 10, 90°, Box
1571220000	SL 5.00/11/90 3.2SN OR	PCB plug-in connector, Male connectors, Soldered connection, Pitch: 5.00 mm, No. of poles: 11, 90°, Box
1571110000	SL 5.00/12/90 3.2SN OR	PCB plug-in connector, Male connectors, Soldered connection, Pitch: 5.00 mm, No. of poles: 12, 90°, Box

Product catalogue | PCB connection systems | PCB plug-in connectors | Pitch 5.00 / 5.08 mm (0.197 / 0.200 inch) | Plug connectors, solder connection, pitch 5.00/5.08 | SL 5.00-5.08/90 | SL 5.00/90

1571230000	SL 5.00/13/90 3.2SN OR	PCB plug-in connector, Male connectors, Soldered connection, Pitch: 5.00 mm, No. of poles: 13, 90°, Box
1571240000	SL 5.00/14/90 3.2SN OR	PCB plug-in connector, Male connectors, Soldered connection, Pitch: 5.00 mm, No. of poles: 14, 90°, Box
1571250000	SL 5.00/15/90 3.2SN OR	PCB plug-in connector, Male connectors, Soldered connection, Pitch: 5.00 mm, No. of poles: 15, 90°, Box
1571270000	SL 5.00/17/90 3.2SN OR	PCB plug-in connector, Male connectors, Soldered connection, Pitch: 5.00 mm, No. of poles: 17, 90°, Box
1571280000	SL 5.00/18/90 3.2SN OR	PCB plug-in connector, Male connectors, Soldered connection, Pitch: 5.00 mm, No. of poles: 18, 90°, Box
1571200000	SL 5.00/9/90 3.2SN OR	PCB plug-in connector, Male connectors, Soldered connection, Pitch: 5.00 mm, No. of poles: 9, 90°, Box
1571300000	SL 5.00/20/90 3.2SN OR	PCB plug-in connector, Male connectors, Soldered connection, Pitch: 5.00 mm, No. of poles: 20, 90°, Box
1571320000	SL 5.00/22/90 3.2SN OR	PCB plug-in connector, Male connectors, Soldered connection, Pitch: 5.00 mm, No. of poles: 22, 90°, Box
1571330000	SL 5.00/23/90 3.2SN OR	PCB plug-in connector, Male connectors, Soldered connection, Pitch: 5.00 mm, No. of poles: 23, 90°, Box
1571340000	SL 5.00/24/90 3.2SN OR	PCB plug-in connector, Male connectors, Soldered connection, Pitch: 5.00 mm, No. of poles: 24, 90°, Box
1571290000	SL 5.00/19/90 3.2SN OR	PCB plug-in connector, Male connectors, Soldered connection, Pitch: 5.00 mm, No. of poles: 19, 90°, Box
1626080000	SL 5.00/12/90 4.5SN SW	PCB plug-in connector, Male connectors, Soldered connection, Pitch: 5.00 mm, No. of poles: 12, 90°, Box
1626070000	SL 5.00/11/90 4.5SN SW	PCB plug-in connector, Male connectors, Soldered connection, Pitch: 5.00 mm, No. of poles: 11, 90°, Box
1625990000	SL 5.00/2/90 4.5SN SW	PCB plug-in connector, Male connectors, Soldered connection, Pitch: 5.00 mm, No. of poles: 2, 90°, Box
1571310000	SL 5.00/21/90 3.2SN OR	PCB plug-in connector, Male connectors, Soldered connection, Pitch: 5.00 mm, No. of poles: 21, 90°, Box
1626050000	SL 5.00/9/90 4.5SN SW	PCB plug-in connector, Male connectors, Soldered connection, Pitch: 5.00 mm, No. of poles: 9, 90°, Box
1626040000	SL 5.00/8/90 4.5SN SW	PCB plug-in connector, Male connectors, Soldered connection, Pitch: 5.00 mm, No. of poles: 8, 90°, Box
1626020000	SL 5.00/5/90 4.5SN SW	PCB plug-in connector, Male connectors, Soldered connection, Pitch: 5.00 mm, No. of poles: 5, 90°, Box
1626010000	SL 5.00/4/90 4.5SN SW	PCB plug-in connector, Male connectors, Soldered connection, Pitch: 5.00 mm, No. of poles: 4, 90°, Box
1596180000	SL 5.00/6/90 4.5SN SW	PCB plug-in connector, Male connectors, Soldered connection, Pitch: 5.00 mm, No. of poles: 6, 90°, Box
1626000000	SL 5.00/3/90 4.5SN SW	PCB plug-in connector, Male connectors, Soldered connection, Pitch: 5.00 mm, No. of poles: 3, 90°, Box
1626060000	SL 5.00/10/90 4.5SN SW	PCB plug-in connector, Male connectors, Soldered connection, Pitch: 5.00 mm, No. of poles: 10, 90°, Box