

Excellent Integrated System Limited

Stocking Distributor

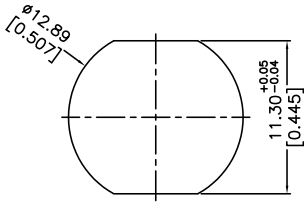
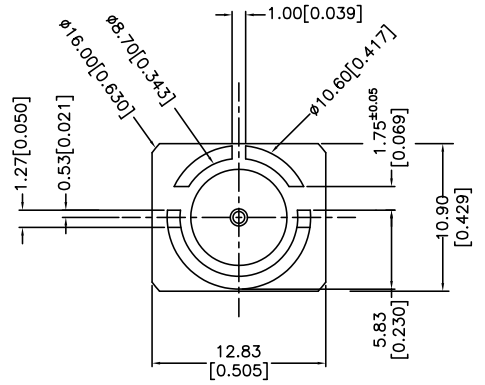
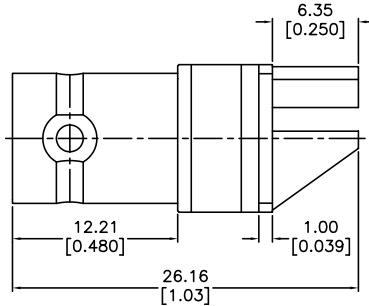
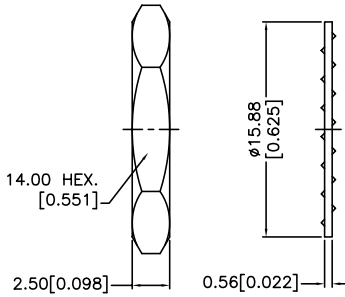
Click to view price, real time Inventory, Delivery & Lifecycle Information:

[Amphenol RF](#)
[112740-20](#)

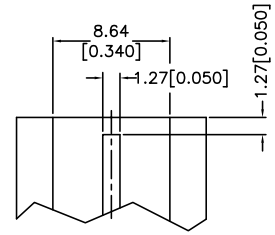
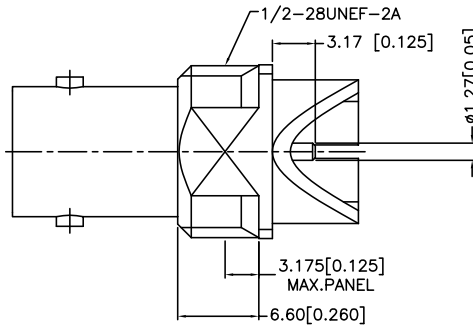
For any questions, you can email us directly:

sales@integrated-circuit.com

REV.	DATE	DESCRIPTION
A	05/03/2010	RELEASE TO MFG.



RECOMMENDED MOUNTING HOLE DIMENSIONS



RECOMMENDED PCB LAYOUT

NOTES: FINISH (PLATING THICKNESS IN MICRO-INCHES)

NO	DESCRIPTION	MATERIAL	FINISH	QTY	APPROVALS	DATE	AMPHENOL CONNEX								
6	HEX NUT	BRASS	NICKEL	1	DRAWN	CLEMENT	05/03/2010	PART DESCRIPTION BNC END LAUNCH RECEPTACLE JACK,75 OHMS EXTENDED THREADS							
5	LOCK WASHER	BRASS	NICKEL	1	CHECKED										
4	HOUSING	BRASS	GOLD	1	ISSUED			PART NO. 112740-20							
3	CONTACT PIN	PHOSPHOR BRONZE	GOLD	1	SHEET	1 OF 1									
2	INSULATOR	TEFLON	NATURAL	1	CAD FILE C:\112\112740-20.DWG			DWG. NO.	112740-20.DWG	REV.	A	SIZE	A	SCALE	NA
1	BODY	BRASS	GOLD	1	DO NOT SCALE DRAWING										

UNLESS OTHERWISE SPECIFIED DIMENSIONS ARE IN MILLIMETERS DIMENSIONS IN [] ARE IN INCHES AND FOR CUSTOMER REFERENCE ONLY.
 UNLESS OTHERWISE SPECIFIED TOLERANCES FOR MILLIMETERS ARE:
 0.5 - 8mm ± 0.20mm
 8 - 30mm ± 0.40mm
 30 - 120mm ± 0.50mm
 UNLESS OTHERWISE SPECIFIED TOLERANCES FOR INCHES ARE:
 .020 - .315 = ± 0.007"
 .315 - 1.180 = ± 0.015"
 1.180 - 4.724 = ± 0.020"