

Excellent Integrated System Limited

Stocking Distributor

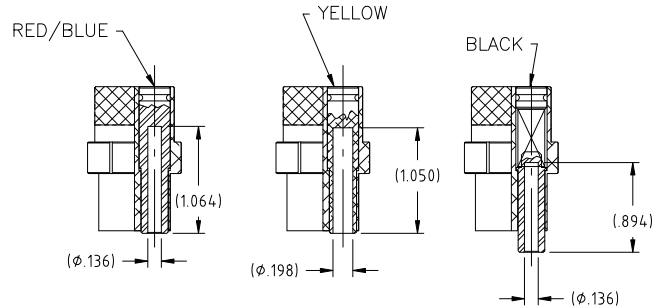
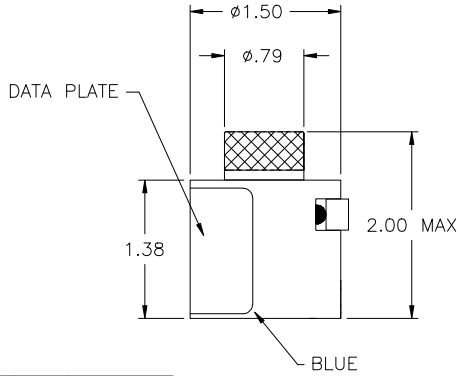
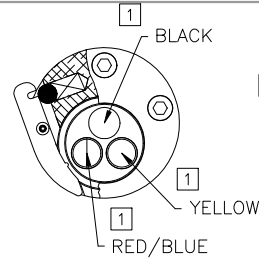
Click to view price, real time Inventory, Delivery & Lifecycle Information:

[Astro Tool Corp.](#)
[600325](#)

For any questions, you can email us directly:

sales@integrated-circuit.com

**UNCONTROLLED DOCUMENT
WILL NOT BE UPDATED**



TYPICAL CONSTRUCTION

HOLE DEPTHS ARE MEASURED FROM TOP OF POSITIONER INSERTS.

CONTACT DESIGNATION	COLOR CODE	SELECTOR		ADJUSTMENT	
		SW	TR	SW	TR
031-8504-000		4	—	—	—
031-8504-006		—	—	—	—
031-8556-000	RED/BLUE	—	—	5	—
031-8503-006		—	—	—	—
031-8556-006		—	—	—	—
031-8555-000	BLACK	4	—	—	—
030-8585-000		—	—	—	7
031-8557-000	YELLOW	—	—	—	—

DATA PLATE

A NEW RELEASE.				DYO	07-08-10	MMK	<small>THESE DRAWINGS, SPECIFICATIONS, OR OTHER DATA ARE AND REMAIN THE PROPERTY OF ASTRO TOOL CORP. AND MUST BE RETURNED UPON REQUEST. THEY CONTAIN INFORMATION OWNED AND/OR DEVELOPED BY ASTRO AT ITS OWN PRIVATE EXPENSE AND MAY NOT BE USED, DUPLICATED OR DISCLOSED TO OTHERS, IN WHOLE OR IN PART FOR DESIGN, MANUFACTURE OR PROCUREMENT WITHOUT THE WRITTEN PERMISSION OF ASTRO TOOL CORP. EACH AND EVERY TIME.</small>	<small>SCALE: N.T.S.</small> <small>DWN BY: DYO</small> <small>DATE: 07-08-10</small> <small>APPROVED:</small>	<small>UNLESS OTHERWISE SPECIFIED:</small> <small>DECIMALS:</small> <small>.XXX ± .005</small> <small>.XX ± .010</small> <small>.X ± .030</small> <small>ANGLES: ± 1°</small>	 <small>21615 S.W. TUALATIN VALLEY HWY., BEAVERTON OR 97006</small> <small>DESCRIPTION: ENVELOPE DRAWING: 600325-1 TURRET ASSEMBLY</small> <small>PART NO. B 600325-1-ENV</small>	CAGE 58164
REV.	DESCRIPTION	BY	DATE	APR.							

NOTES: 1. THIS IS AN AUTOCAD DRAWING DO NOT CHANGE MANUALLY.