

Excellent Integrated System Limited

Stocking Distributor

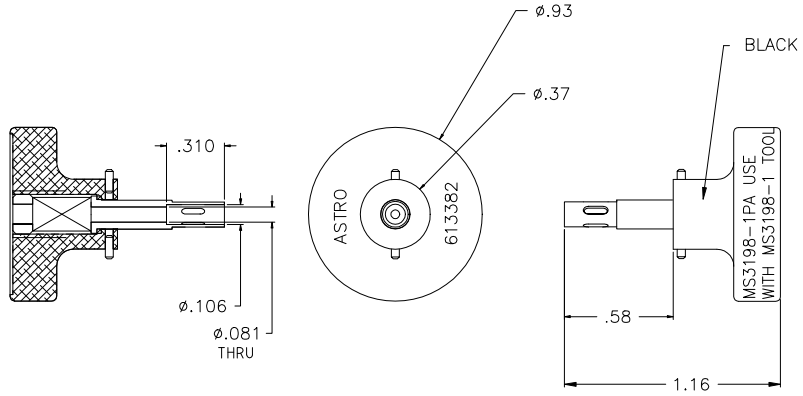
Click to view price, real time Inventory, Delivery & Lifecycle Information:

[Astro Tool Corp.](#)
[613382](#)

For any questions, you can email us directly:

sales@integrated-circuit.com

USE WITH CONTACT			
MS3198-20	07		
MS3193-20			
WIRE	20	22	24 28
SEL	7	6	5 4
MS24254-20P MS39029/4-20-20			
MS24255-20S MS39029/5-20-20			
MS18134-20 MS39029/9-20-20			
MS18136-20 MS39029/10-20-20			
MS3723/33-20			
MS3723/34-20			



**UNCONTROLLED DOCUMENT
WILL NOT BE UPDATED**

NOTES: 1. THIS IS AN ACAD DRAWING DO NOT CHANGE MANUALLY.

					<p>THESE DRAWINGS, SPECIFICATIONS OR OTHER DATA ARE AND REMAIN, THE PROPERTY OF ASTRO TOOL CORP. AND MUST BE RETURNED UPON REQUEST. THEY CONTAIN INFORMATION OWNED AND/OR DEVELOPED BY ASTRO AT ITS OWN PRIVATE EXPENSE AND MAY NOT BE USED, DUPLICATED OR DISCLOSED TO OTHERS, IN WHOLE OR IN PART FOR DESIGN, MANUFACTURE OR PROCUREMENT WITHOUT THE WRITTEN PERMISSION OF ASTRO TOOL CORP. EACH AND EVERY TIME.</p>	<p>SCALE: N.T.S.</p> <p>UNLESS OTHERWISE SPECIFIED: DECIMALS: .XXX ± .005 .XX ± .010 .X ± .030</p> <p>ANGLES: ± 1°</p>	<p>ASTRO TOOL CORP. 21615 S.W. TUALATIN VALLEY HWY., BEAVERTON OR 97006</p>	CAGE 58164
A	NEW RELEASE.	DYO	06-23-10	MMK	<p>DATE: 06-23-10</p> <p>APPROVED:</p>	<p>DESCRIPTION: ENVELOPE DRAWING: 613382 POSITIONER (MS3198-1PA)</p>	<p>PART NO. B 613382-ENV</p>	
REV.	DESCRIPTION	BY	DATE	APR.				