

Excellent Integrated System Limited

Stocking Distributor

Click to view price, real time Inventory, Delivery & Lifecycle Information:

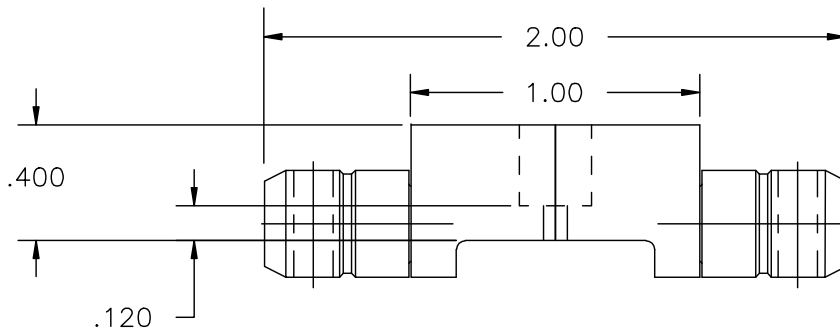
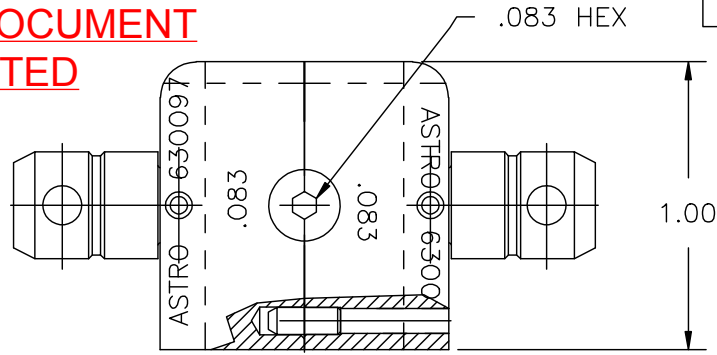
[Astro Tool Corp.](#)
[630097](#)

For any questions, you can email us directly:

sales@integrated-circuit.com

**UNCONTROLLED DOCUMENT
WILL NOT BE UPDATED**

630097-ENV



NOTES: I. THIS IS AN AUTOCAD DRAWING DO NOT CHANGE MANUALLY.

				<p>THESE DRAWINGS, SPECIFICATIONS OR OTHER DATA ARE AND REMAIN, THE PROPERTY OF ASTRO TOOL CORP. AND MUST BE RETURNED UPON REQUEST. THEY CONTAIN INFORMATION OWNED AND/OR DEVELOPED BY ASTRO AT ITS OWN PRIVATE EXPENSE AND MAY NOT BE USED, DUPLICATED OR DISCLOSED TO OTHERS, IN WHOLE OR IN PART FOR DESIGN, MANUFACTURE OR PROCUREMENT WITHOUT THE WRITTEN PERMISSION OF ASTRO TOOL CORP. EACH AND EVERY TIME.</p>		<p>SCALE: N.T.S.</p> <p>DWN BY: DYO</p> <p>DATE: 07-19-11</p> <p>APPROVED:</p>		<p>UNLESS OTHERWISE SPECIFIED: DECIMALS: .XXX ± .005 .XX ± .010 .X ± .030 ANGLES: ± 1°</p>		<p>CAGE 58164</p> <p>ASTRO TOOL CORP. 21615 S.W. TUALATIN VALLEY HWY., BEAVERTON OR 97006</p>	
A	NEW RELEASE.	DYO	07-19-11	MMK	<p>DESCRIPTION: ENVELOPE DRAWING: 630097 DIE SET, FOR M22520/5-01 FRAME</p>						
REV.	DESCRIPTION	BY	DATE	APR.	PART NO.		A	630097-ENV			