

Excellent Integrated System Limited

Stocking Distributor

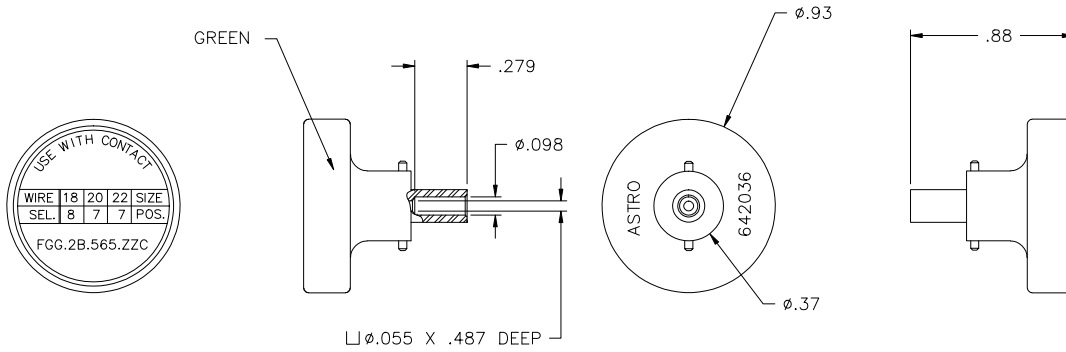
Click to view price, real time Inventory, Delivery & Lifecycle Information:

[Astro Tool Corp.](#)
[642036](#)

For any questions, you can email us directly:

sales@integrated-circuit.com

**UNCONTROLLED DOCUMENT
WILL NOT BE UPDATED**



- NOTES:
1. THIS IS AN AUTOCAD DRAWING, DO NOT CHANGE MANUALLY.
 2. USE WITH 616336 (M22520/7-01) TOOL FRAME.

A NEW RELEASE				DYO	08-08-11	MMK	THESE DRAWINGS, SPECIFICATIONS OR OTHER DATA ARE AND REMAIN THE PROPERTY OF ASTRO TOOL CORP. AND MUST BE RETURNED UPON REQUEST. THEY CONTAIN INFORMATION OWNED AND/OR DEVELOPED BY ASTRO AT ITS OWN PRIVATE EXPENSE AND MAY NOT BE USED, DUPLICATED OR DISCLOSED TO OTHERS, IN WHOLE OR IN PART FOR DESIGN, MANUFACTURE OR PURCHASEMENT WITHOUT THE WRITTEN PERMISSION OF ASTRO TOOL CORP. EACH AND EVERY TIME.	SCALE: N.T.S. UNLESS OTHERWISE SPECIFIED: DECIMALS: .XXX ± .005 .XX ± .01 .X ± .03 ANGLES: ± 1°	ASTRO TOOL CORP. 2165 SW TUALATIN VALLEY HWY., BEAVERTON OR 97005 CAGE 58164
REV.	DESCRIPTION	BY	DATE	APR.				DESCRIPTION: ENVELOPE DRAWING: 642036 POSITIONER ASSEMBLY	PART NO. B 642036-ENV