

## Excellent Integrated System Limited

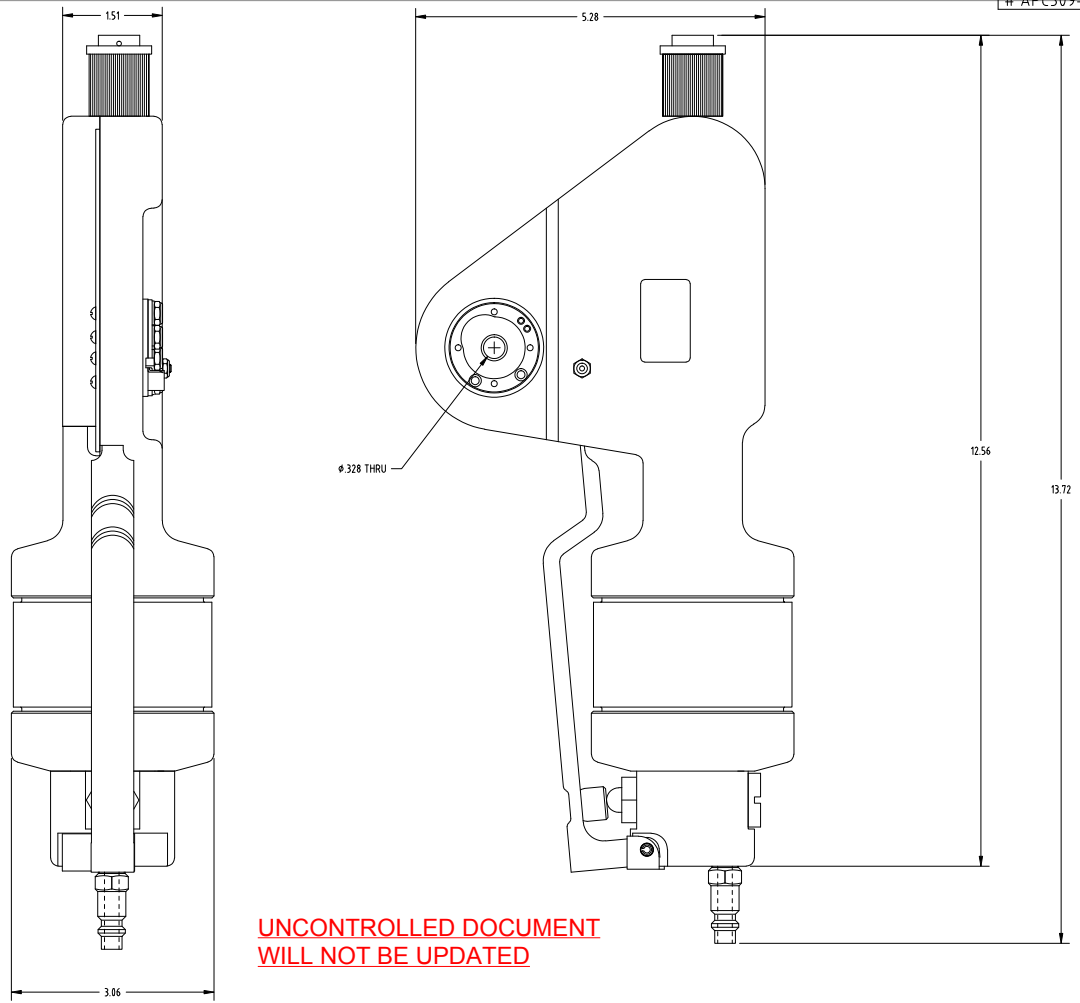
Stocking Distributor

Click to view price, real time Inventory, Delivery & Lifecycle Information:

[Astro Tool Corp.](#)  
[APC309](#)

For any questions, you can email us directly:

[sales@integrated-circuit.com](mailto:sales@integrated-circuit.com)



**UNCONTROLLED DOCUMENT  
WILL NOT BE UPDATED**

- 6. STANDARD M22520/1 TURRETS WILL NOT WORK IN THIS TOOL.
- 5. TOTAL WEIGHT: 4 lbs.
- 4. OPERATING AIR PRESSURE: 80-100 PSI.
- 3. AIR FILTER, REGULATOR AND LUBRICATOR MUST BE USED IN AIR LINE.
- 2. REF. CRIMP RANGE: .037" TO .100".

NOTES: 1. THIS IS AN AUTOCAD DRAWING DO NOT CHANGE MANUALLY!

THESE DRAWINGS, SPECIFICATIONS OR OTHER DATA ARE AND REMAIN THE PROPERTY OF ASTRO TOOL CORP. AND MUST BE RETURNED TO THE COMPANY. ANY REPRODUCTION OR DISTRIBUTION OF THESE DRAWINGS WITHOUT THE WRITTEN PERMISSION OF ASTRO TOOL CORP. IS STRICTLY PROHIBITED.				SCALE: N.T.S.	UNLESS OTHERWISE SPECIFIED:	<b>ASTRO TOOL CORP.</b> ENIS S.W. TUALATIN VALLEY HWY., BEAVERTON OR 97004	CASE 58184
A NEW RELEASE.	DYO	10-24-10	MMH	DATE: 10-24-10	DECIMALS: .001 FRACTIONS: 1/16 ANGLES: 1°		DESCRIPTION: ENVELOPE DRAWING: APC309 EXTERNAL ADJ. PNEUMATIC CRIMP TOOL PART NO. C   APC309-ENV
REV.	DESCRIPTION	BY	DATE	APP.	APPROVED		