

## **Excellent Integrated System Limited**

Stocking Distributor

Click to view price, real time Inventory, Delivery & Lifecycle Information:

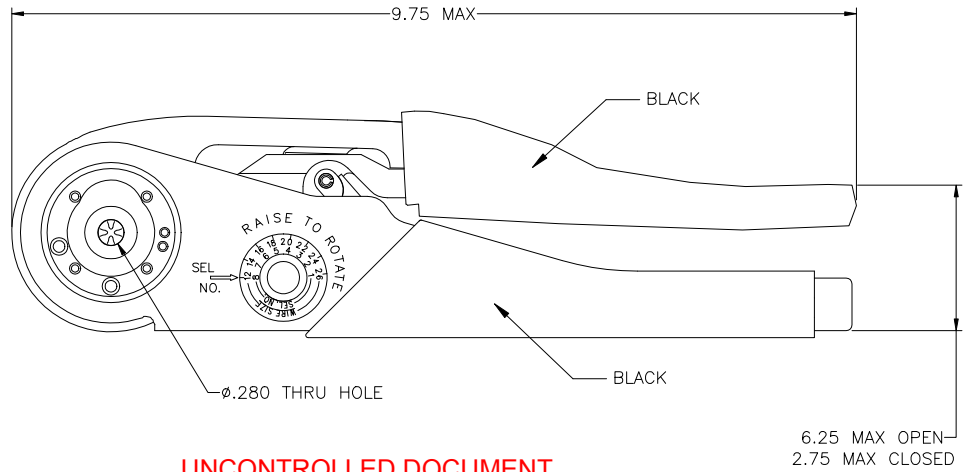
[Astro Tool Corp.](#)  
[EUS708](#)

For any questions, you can email us directly:

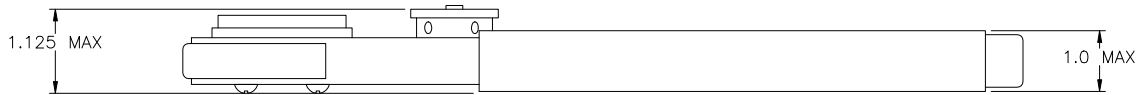
[sales@integrated-circuit.com](mailto:sales@integrated-circuit.com)

8	.0680	.0730
7	.0590	.0640
6	.0520	.0570
5	.0450	.0500
4	.0390	.0440
3	.0360	.0410
2	.0320	.0370
1	.0280	.0330
SEL #	GO ±.0001	NO-GO ±.0001

GAGING DATA



**UNCONTROLLED DOCUMENT  
WILL NOT BE UPDATED**



NOTES:  
1. THIS IS AN AUTOCAD DRAWING DO NOT CHANGE MANUALLY.

REV.	DESCRIPTION	BY	DATE	APR.
A	NEW RELEASE	DYO	09-19-11	MMK

THESE DRAWINGS, SPECIFICATIONS OR OTHER DATA ARE AND REMAIN THE PROPERTY OF ASTRO TOOL CORP. AND MUST BE RETURNED UPON REQUEST. THEY CONTAIN INFORMATION OWNED AND/OR DEVELOPED BY ASTRO AT ITS OWN PRIVATE EXPENSE AND MAY NOT BE USED, DUPLICATED OR DISCLOSED TO OTHERS, IN WHOLE OR IN PART FOR DESIGN, MANUFACTURE OR PROCUREMENT WITHOUT THE WRITTEN PERMISSION OF ASTRO TOOL CORP. EACH AND EVERY TIME.

SCALE: N.T.S.  
DWN BY: DYO  
DATE: 09-19-11  
APPROVED:

UNLESS OTHERWISE SPECIFIED: DECIMALS: .XXX ± .005 .XX ± .01 .X ± .03 ANGLES: ± 1°	<b>ASTRO TOOL CORP.</b> 2165 S.W. TUALATIN VALLEY HWY., BEAVERTON OR 97006	CAGE 58164
DESCRIPTION: ENVELOPE DRAWING: EUS708 8 STEP ADJUSTABLE CRIMP TOOL		
PART NO.	B EUS708-ENV	