

## Excellent Integrated System Limited

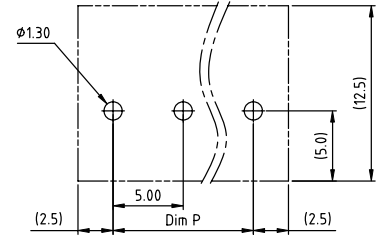
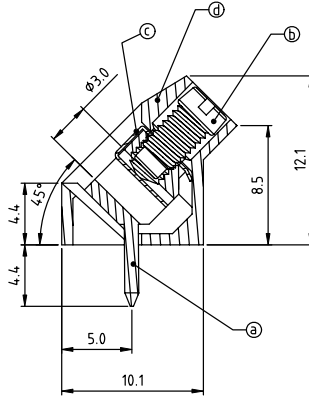
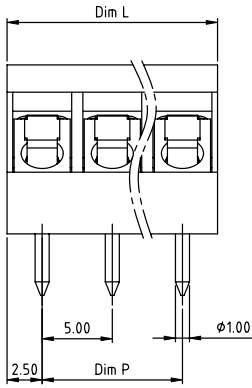
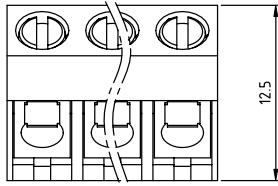
Stocking Distributor

Click to view price, real time Inventory, Delivery & Lifecycle Information:

[FCI](#)  
[TQ02010000J0G](#)

For any questions, you can email us directly:  
[sales@integrated-circuit.com](mailto:sales@integrated-circuit.com)

PRODUCT NUMBER	PITCH
TQxx01x000J0G	5.00 mm



RECOMMENDED P.C.B LAYOUT  
TOP VIEW

Material:

- Item ① Terminal body (metal housing): Brass (CuZn), Tin plated
- Item ② Terminal screw: Steel Zinc plating "-" slot type
- Item ③ Wire guard: stainless steel
- Item ④ Insulator (housing): Thermoplastic (UL94V-0)

Electrical cULus

- Voltage rating: 300V
- Current rating: 15A
- Wire range:
  - Solid wire (AWG): 14-22
  - Stranded wire (AWG): 14-22
- Torque (Lb-In): 3.5
- Screw: M3
- Wire strip length: 6-7mm
- Withstanding Voltage: 1.6KV
- Operating temperature: -40°C to +115°C
- Soldering temperature: 260°C ± 5°C / 5 Sec
- Safety Approval: cULus

N = Number of poles  
Dim L = N x 5.0  
Dim P = (N-1) x 5.0

Poles	Dim L	Dim P
2-6p	±0.15	±0.10
7-12p	±0.20	±0.20
13-18p	±0.30	±0.25
19-24p	±0.35	±0.30

PART NO.: TQ xx 01 x 0 00J0 G

- |              |   |                    |  |
|--------------|---|--------------------|--|
| Solid Block  | 0 | Black (RAL9005)    | RoHS compliant<br>(lead-4%)<br>In copper Alloy |
| No. of poles | 2 | Red (RAL3001/D)    |  |
| 02 2 poles   | 3 | Orange (RAL2011/P) |  |
| 03 3 poles   | 4 | Yellow (RAL1018/A) |  |
| ...          | 5 | Green (RAL6018/T)  |  |
| 24 24 poles  | 6 | Blue (RAL5015/A)   |  |
|              | 8 | Grey (RAL7035/D)   |  |
|              | 9 | White (RAL1102)    |  |
|              | C | Green (RAL6018/U)  |  |

mat'l. code	surface ASME Y14.5	tolerance ASME Y14.5	projection	product family TERMINAL BLOCK
ltr	ecn	no	dr	date
tolerances unless otherwise specified				title TERMINAL BLOCK
angles	X.±0.5		MM	WIRE PROTECTOR, 45 DEGREE, WIRE INLET
X'±1'	X.X±0.3		scale	sheet 1 of 1
dr	EVIN ZHONG	040114	<b>FCI</b>	size A4
enr	EVIN ZHONG	040114		dwg no TQxx01x000J0G
chr	HANKE FENG	040114		type CUSTOMER Drawing
appd	SHI JUN	040114		
sheet index	revision sheet	A 1		