

Excellent Integrated System Limited

Stocking Distributor

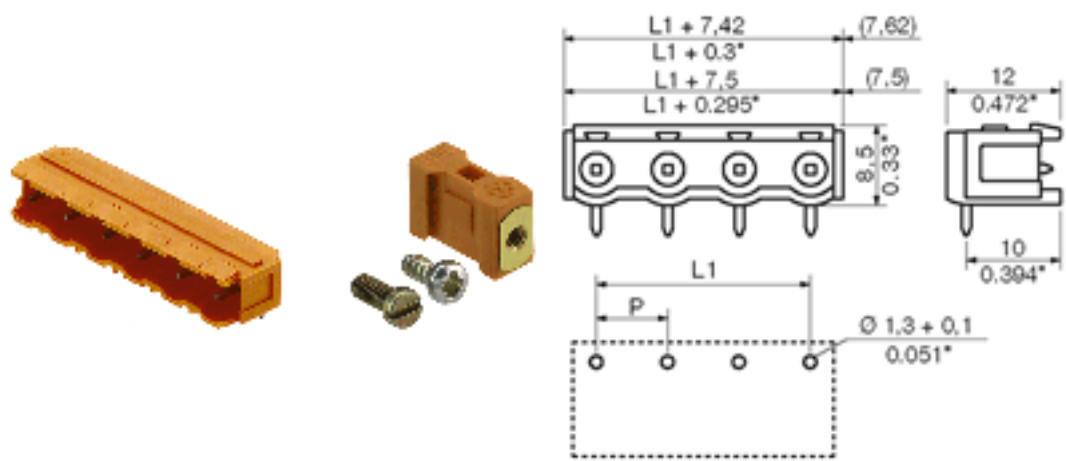
Click to view price, real time Inventory, Delivery & Lifecycle Information:

[Weidmüller](#)
[1624380000](#)

For any questions, you can email us directly:

sales@integrated-circuit.com

Product catalogue | PCB connection systems | PCB plug-in connectors | Pitch 7.50 / 7.62 mm (0.295 / 0.300 inch) | Plug connectors, solder connection, pitch 7.50/7.62 | SL 7.50-7.62/90 | SL 7.62/90B


General ordering data

Order No.	1624380000
Part designation	SL 7.62/3/90B 3.2 SN OR
Version	PCB plug-in connector, Male connectors, Soldered connection, Pitch: 7.62 mm, No. of poles: 3, 90°, Box
EAN	4008190195434
Qty.	100 pc(s).

System parameters

Fitted to PCB	Soldered connection
Outgoing elbow	90°
Pitch	7.62 mm
Pitch in inch	0.3 inch
No. of poles	3
Solder pin length	3.2 mm
Can be coded	Yes
No. of rows	1
No. of solder pins per pole	1
Dia. of fitting hole	1.3 mm
Fitting hole tolerance	+ 0.1 mm
L1 in mm	15.24 mm
L1 in inch	0.6 inch
Insulation resistance	1 MΩ

Product catalogue | PCB connection systems | PCB plug-in connectors | Pitch 7.50 / 7.62 mm (0.295 / 0.300 inch) | Plug connectors, solder connection, pitch 7.50/7.62 | SL 7.50-7.62/90 | SL 7.62/90B

System parameters

Electric shock protection to DIN VDE 0470 Safe from finger touch, plugged

Material data

Insulating material	PBT
Colour	orange
colour chart	Similar to RAL 2000
Insulating material group	IIIa
Flammability class UL 94	V-0
CTI	>= 200
Contact base material	CuSn
Contact surface	tinned
Constant operating temp., min.	-25 °C
Constant operating temp., max.	100 °C
Storage temperature, min.	-25 °C
Storage temperature, max.	55 °C
Max. relative humidity during storage	80 %

DIN IEC rating data

Rated current, min. No. pins (Tu=20°C)	18.5 A
Rated current, max. No. pins (Tu=20°C)	17 A
Rated current, min. No. pins (Tu=40°C)	16 A
Rated current, max. No. pins (Tu=40°C)	14.5 A
Rated voltage for overvoltage class/pollution severity III/3	500 V
Rated impulse withstand voltage for overvoltage class/pollution severity III/3	6 kV
Rated voltage for overvoltage class/pollution severity III/2	630 V
Rated impulse withstand voltage for overvoltage class/pollution severity III/2	6 kV
Rated voltage for overvoltage class/pollution severity II/2	800 V
Rated impulse withstand voltage for overvoltage class/pollution severity II/2	6 kV
Short-time withstand current resistance	3 x 1s with 120 A

CSA rating data

Rated voltage (Use group D)	300 V
Rated current (Use group D)	10 A

UL 1059 rating data

Rated voltage (Use group D)	300 V
Rated current (Use group D)	10 A

Product catalogue | PCB connection systems | PCB plug-in connectors | Pitch 7.50 / 7.62 mm (0.295 / 0.300 inch) | Plug connectors, solder connection, pitch 7.50/7.62 | SL 7.50-7.62/90 | SL 7.62/90B

Approvals

Approvals institutes



Downloads

CAD Library (P-CAD Format - Standard) SL.LIB

Classifications

ETIM 2.0	NK
ETIM 3.0	EC001284
eClass 4.1	27-26-07-01
eClass 5.0	27-26-07-01
eClass 5.1	27-26-07-04

Similar products

Order No.	Part designation	Version
1624370000	SL 7.62/2/90B3.2SN OR	PCB plug-in connector, Male connectors, Soldered connection, Pitch: 7.62 mm, No. of poles: 2, 90°, Box
1624390000	SL 7.62/4/90B3.2SN OR	PCB plug-in connector, Male connectors, Soldered connection, Pitch: 7.62 mm, No. of poles: 4, 90°, Box
1624400000	SL 7.62/5/90B3.2SN OR	PCB plug-in connector, Male connectors, Soldered connection, Pitch: 7.62 mm, No. of poles: 5, 90°, Box
1624410000	SL 7.62/6/90B3.2SN OR	PCB plug-in connector, Male connectors, Soldered connection, Pitch: 7.62 mm, No. of poles: 6, 90°, Box
1624420000	SL 7.62/7/90B3.2SN OR	PCB plug-in connector, Male connectors, Soldered connection, Pitch: 7.62 mm, No. of poles: 7, 90°, Box
1624430000	SL 7.62/8/90B3.2SN OR	PCB plug-in connector, Male connectors, Soldered connection, Pitch: 7.62 mm, No. of poles: 8, 90°, Box
1624440000	SL 7.62/9/90B3.2SN OR	PCB plug-in connector, Male connectors, Soldered connection, Pitch: 7.62 mm, No. of poles: 9, 90°, Box
1624450000	SL 7.62/10/90B3.2SN OR	PCB plug-in connector, Male connectors, Soldered connection, Pitch: 7.62 mm, No. of poles: 10, 90°, Box
1624460000	SL 7.62/11/90B3.2SN OR	PCB plug-in connector, Male connectors, Soldered connection, Pitch: 7.62 mm, No. of poles: 11, 90°, Box
1624470000	SL 7.62/12/90B3.2SN OR	PCB plug-in connector, Male connectors, Soldered connection, Pitch: 7.62 mm, No. of poles: 12, 90°, Box