

## Excellent Integrated System Limited

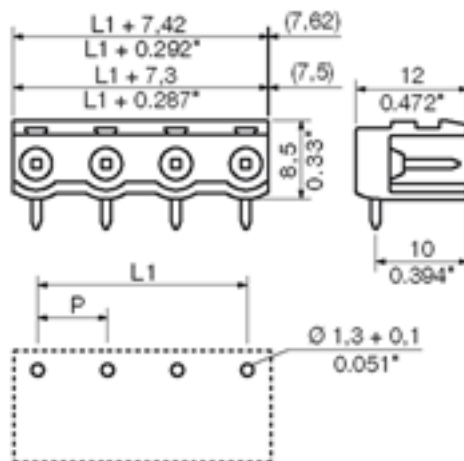
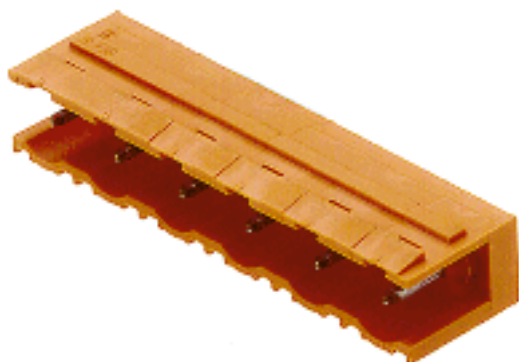
Stocking Distributor

Click to view price, real time Inventory, Delivery & Lifecycle Information:

[Weidmüller](#)  
[1624180000](#)

For any questions, you can email us directly:  
[sales@integrated-circuit.com](mailto:sales@integrated-circuit.com)

Product catalogue | PCB connection systems | PCB plug-in connectors | Pitch 7.50 / 7.62 mm (0.295 / 0.300 inch) | Plug connectors, solder connection, pitch 7.50/7.62 | SL 7.50-7.62/90 | SL 7.62/90



#### General ordering data

Order No.	1624180000
Part designation	SL 7.62/5/90 3.2SN OR
Version	PCB plug-in connector, Male connectors, Soldered connection, Pitch: 7.62 mm, No. of poles: 5, 90°, Box
EAN	4008190195236
Qty.	50 pc(s).

#### System parameters

Fitted to PCB	Soldered connection
Outgoing elbow	90°
Pitch	7.62 mm
Pitch in inch	0.3 inch
No. of poles	5
Solder pin length	3.2 mm
Can be coded	Yes
No. of rows	1
No. of solder pins per pole	1
Dia. of fitting hole	1.3 mm
Fitting hole tolerance	+ 0.1 mm
L1 in mm	30.48 mm
L1 in inch	1.2 inch
Insulation resistance	1 MΩ

Product catalogue | PCB connection systems | PCB plug-in connectors | Pitch 7.50 / 7.62 mm (0.295 / 0.300 inch) | Plug connectors, solder connection, pitch 7.50/7.62 | SL 7.50-7.62/90 | SL 7.62/90

#### System parameters

Electric shock protection to DIN VDE 0470      Safe from finger touch, plugged

#### Material data

Insulating material	PBT
Colour	orange
colour chart	Similar to RAL 2000
Insulating material group	IIIa
Flammability class UL 94	V-0
CTI	>= 200
Contact base material	CuSn
Contact surface	tinned
Constant operating temp., min.	-25 °C
Constant operating temp., max.	100 °C
Storage temperature, min.	-25 °C
Storage temperature, max.	55 °C
Max. relative humidity during storage	80 %

#### DIN IEC rating data

Rated current, min. No. pins (Tu=20°C)	18.5 A
Rated current, max. No. pins (Tu=20°C)	17 A
Rated current, min. No. pins (Tu=40°C)	16 A
Rated current, max. No. pins (Tu=40°C)	14.5 A
Rated voltage for overvoltage class/pollution severity III/3	500 V
Rated impulse withstand voltage for overvoltage class/pollution severity III/3	6 kV
Rated voltage for overvoltage class/pollution severity III/2	630 V
Rated impulse withstand voltage for overvoltage class/pollution severity III/2	6 kV
Rated voltage for overvoltage class/pollution severity II/2	800 V
Rated impulse withstand voltage for overvoltage class/pollution severity II/2	6 kV
Short-time withstand current resistance	3 x 1s with 120 A

#### CSA rating data

Rated voltage (Use group D)	300 V
Rated current (Use group D)	10 A

#### UL 1059 rating data

Rated voltage (Use group D)	300 V
Rated current (Use group D)	10 A

Product catalogue | PCB connection systems | PCB plug-in connectors | Pitch 7.50 / 7.62 mm (0.295 / 0.300 inch) | Plug connectors, solder connection, pitch 7.50/7.62 | SL 7.50-7.62/90 | SL 7.62/90

### Approvals

Approvals institutes



### Downloads

CAD Library (P-CAD Format - Standard) SL.LIB

### Classifications

ETIM 2.0	NK
ETIM 3.0	EC001284
eClass 4.1	27-26-07-01
eClass 5.0	27-26-07-01
eClass 5.1	27-26-07-04

### Similar products

Order No.	Part designation	Version
1624150000	SL 7.62/2/90 3.2SN OR	PCB plug-in connector, Male connectors, Soldered connection, Pitch: 7.62 mm, No. of poles: 2, 90°, Box
1624160000	SL 7.62/3/90 3.2SN OR	PCB plug-in connector, Male connectors, Soldered connection, Pitch: 7.62 mm, No. of poles: 3, 90°, Box
1624170000	SL 7.62/4/90 3.2SN OR	PCB plug-in connector, Male connectors, Soldered connection, Pitch: 7.62 mm, No. of poles: 4, 90°, Box
1624190000	SL 7.62/6/90 3.2SN OR	PCB plug-in connector, Male connectors, Soldered connection, Pitch: 7.62 mm, No. of poles: 6, 90°, Box
1624200000	SL 7.62/7/90 3.2SN OR	PCB plug-in connector, Male connectors, Soldered connection, Pitch: 7.62 mm, No. of poles: 7, 90°, Box
1624210000	SL 7.62/8/90 3.2SN OR	PCB plug-in connector, Male connectors, Soldered connection, Pitch: 7.62 mm, No. of poles: 8, 90°, Box
1624220000	SL 7.62/9/90 3.2SN OR	PCB plug-in connector, Male connectors, Soldered connection, Pitch: 7.62 mm, No. of poles: 9, 90°, Box
1624230000	SL 7.62/10/90 3.2SN OR	PCB plug-in connector, Male connectors, Soldered connection, Pitch: 7.62 mm, No. of poles: 10, 90°, Box
1624240000	SL 7.62/11/90 3.2SN OR	PCB plug-in connector, Male connectors, Soldered connection, Pitch: 7.62 mm, No. of poles: 11, 90°, Box
1624250000	SL 7.62/12/90 3.2SN OR	PCB plug-in connector, Male connectors, Soldered connection, Pitch: 7.62 mm, No. of poles: 12, 90°, Box