

Excellent Integrated System Limited

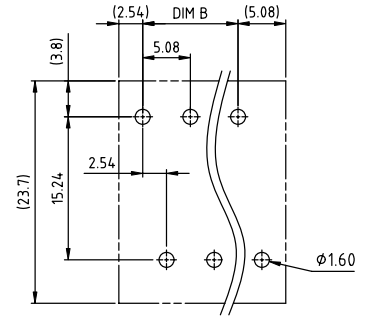
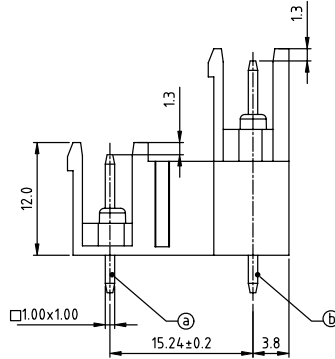
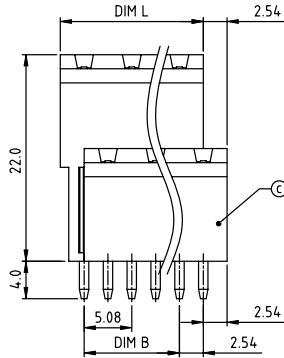
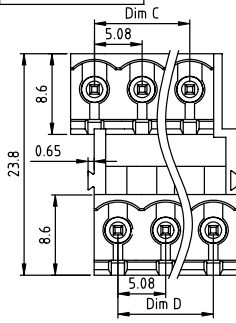
Stocking Distributor

Click to view price, real time Inventory, Delivery & Lifecycle Information:

[FCI](#)
[VF04505000J0G](#)

For any questions, you can email us directly:
sales@integrated-circuit.com

PRODUCT NUMBER	PITCH
VFxx50x000J0G	5.08 mm



RECOMMENDED P.C.B. LAYOUT
TOP VIEW

Material:

- Item (a) Short pin: Copper, Tin plated
- Item (b) Long pin: Copper, Tin plated
- Item (c) Terminal (housing): Thermoplastic (UL94V-0)

Electrical cULus

- Voltage rating: 300VAC
- Current rating: 10A
- Withstanding Voltage: 1.6KV
- Operating temperature: -40°C to +115°C
- Soldering temperature: 260°C±5°C/5 Sec
- Safety Approval:

PART NO.: VF xx 50 x 0 00J0 G

Dimension	Value
Dim L	N/2x5.08
Dim B	(N/2-1)x5.08
Dim C	(N/2-1)x5.08
Dim D	(N/2-1)x5.08

Poles	N=Number of poles	
	Tolerance	
2x2P-2x5P	±0.15	
2x6P-2x10P	±0.20	
2x11P-2x15P	±0.25	
2x16P-2x20P	±0.30	
2x21P-2x24P	±0.35	

- | | | |
|--------------|---------------------|-----------------|
| Solid block | Color | RoHS compliant |
| No. of poles | 0 Black (RAL9005) | (lead<4%) |
| 04 2x2poles | 2 Red (RAL3001/D) | In copper Alloy |
| 06 2x3poles | 3 Orange(RAL2011/P) | |
| ... | 4 Yellow(RAL1018/A) | |
| ... | 5 Green(RAL6018/T) | |
| 48 2x24poles | 6 Blue (RAL5015/A) | |
| | 8 Grey(RAL7035/D) | |
| | 9 White(RAL1102) | |
| | C Green(RAL6018/U) | |

mat'l. code	surface ASME Y14.5	tolerance ASME Y14.5	projection	product family
tr ecn no dr date	tolerances unless otherwise specified	ASME Y14.5	MM	TERMINAL BLOCK
angles	X.±0.5			title
X'±1'	X.X±0.3			TERMINAL BLOCK
	X.XX±0.1			PLUGGABLE SOCKET, OPEN TYPE, VERTICAL
dr EVIN ZHONG 042914				dwg no
enrg EVIN ZHONG 042914				VFxx50x000J0G
chr HANKE FENG 042914				sheet 1 of 1
appd SHI JUN 042914				size
				A4
sheet index	revision sheet	A 1		type
				CUSTOMER Drawing