

Excellent Integrated System Limited

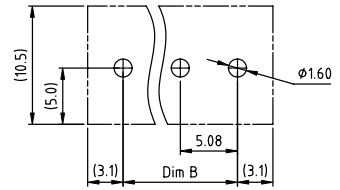
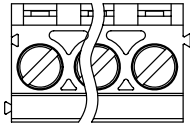
Stocking Distributor

Click to view price, real time Inventory, Delivery & Lifecycle Information:

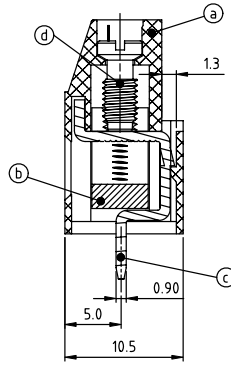
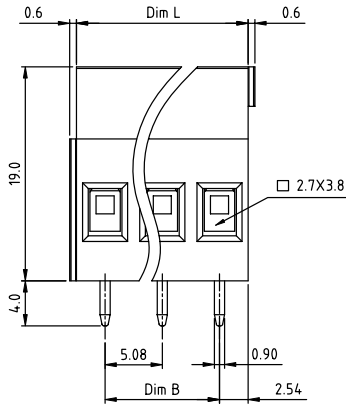
[FCI](#)
[VJ04215500J0G](#)

For any questions, you can email us directly:
sales@integrated-circuit.com

PRODUCT NUMBER	PITCH
VJxx21x500J0G	5.08mm



RECOMMENDED P.C.B LAYOUT
TOP VIEW



Material:

- Item (a) Terminal housing: Thermoplastic (UL 94V-0)
- Item (b) Clamp: Brass Ni plated
- Item (c) Solder pin: Brass Tin plated
- Item (d) Terminal screw: Steel Zinc plating"-slot type

- Electrical cULus / VDE
- Voltage rating : 300VAC / 450V
 - Current rating : 20A / 24A
 - Wire range : 0.2-2.5mm²
 - Solid wire(AWG) : 12-30
 - Stranded wire(AWG) : 12-30
 - Torque : 3.5 Lb-In / 0.5 N.m
 - Screw: M3
 - Wire strip length: 6-7mm
 - Withstanding Voltage: 1.6KV / 2.5KV
 - Operating temperature: -40°C to +115°C
 - Soldering temperature: 260°C±5°C/5 Sec
 - Safety Approval:

Dimension L&B

DIM L	Nx5.08
DIM B	(N-1)x5.08

N=Number of poles

Poles	DimL&B Tolerance
4P-8P	±0.15
9P-14P	±0.25
15P-20P	±0.35
21P-24P	±0.40

PART NO.: VJ xx 2 1 x 5 00J0 G

- | | | | |
|--------------|---|-------------------|-----------------|
| Solid block | 0 | Color | RoHS compliant |
| No. of poles | 2 | Black (RAL9005) | (lead<4%) |
| 04 4 poles | 3 | Red (RAL3001/D) | In copper Alloy |
| 05 5 poles | 4 | Orange(RAL2011/P) | |
| ... | 5 | Yellow(RAL1018/A) | |
| 24 24 poles | 6 | Green(RAL6018/T) | |
| | 7 | Blue (RAL5015/A) | |
| | 8 | Grey(RAL7035/D) | |
| | 9 | White(RAL1102) | |
| | C | Green(RAL6018/U) | |

mat'l. code	surface ASME Y14.5	tolerance ASME Y14.5	projection	product family
ltr	ecn	no	dr	date
tolerances unless otherwise specified				TERMINAL BLOCK
angles	X.±0.5		MM	title
X'±1'	X.X±0.3		scale	TERMINAL BLOCK
dr	EVIN ZHONG	040914	scale	RISING CLAMP,180D WIRE INLET,SOLID BLOCK
enr	EVIN ZHONG	040914	FCI	dwg no
chr	HANKE FENG	040914		VJxx21x500J0G
appd	SHI JUN	040914		sheet 1 of 1
sheet index	revision	A		size
	sheet	1		A4
				type
				CUSTOMER Drawing