

## Excellent Integrated System Limited

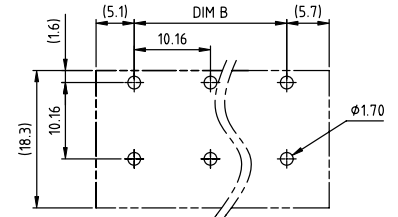
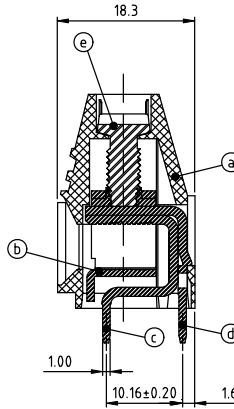
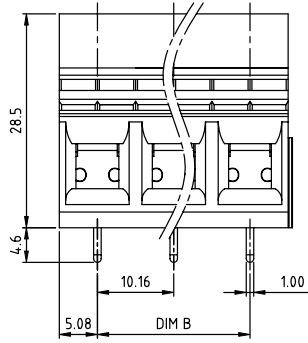
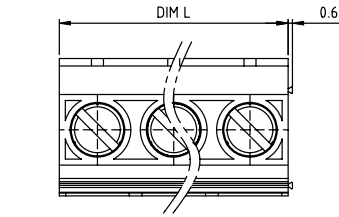
Stocking Distributor

Click to view price, real time Inventory, Delivery & Lifecycle Information:

[FCI](#)  
[VP02655400J0G](#)

For any questions, you can email us directly:  
[sales@integrated-circuit.com](mailto:sales@integrated-circuit.com)

PRODUCT NUMBER	PITCH
VPxx65x400J0G	10.16 mm



RECOMMENDED P.C.B. LAYOUT  
TOP VIEW

Material:

- Item① Terminal housing: Thermoplastic (UL 94V-0)
- Item② Clamp: Steel stamping, Zinc plated
- Item③ Solder pin1: Copper, Tin plated
- Item④ Solder pin2: Copper, Tin plated
- Item⑤ Terminal screw: Steel Zinc plating"-slot type

Electrical cULus IEC

- Voltage rating: 300V 650V
- Current rating: 65A 57A
- Wire range:
- Solid wire (AWG): 6-20 / 0.5-16mm<sup>2</sup>
- Stranded wire (AWG): 6-20 / 0.5-10mm<sup>2</sup>
- Torque: 19 Lb-In / 1.2 N.m
- Screw: M4.5
- Wire strip length: 10-11mm
- Withstanding voltage: 1.6KV / 8KV
- Operating temperature: -40°C+115°C
- Soldering temperature: 260°C+5°C/5 Sec
- Safety Approval: cULus

PART NO.: VP xx 6 5 x 4 00J0 G

N = Number of poles  
Dim L=N×10.16  
Dim B=(N-1)×10.16

Poles	Tolerance
2-4p	±0.15
5-8p	±0.25
9-12p	±0.35

End Stackable	No. of poles	Body Color	RoHS compliant
0	2	Black (RAL9005)	In copper Alloy
02	2	Red (RAL3001/D)	
03	3	Orange(RAL2011/P)	
...	...	4 Yellow(RAL1018/A)	
...	...	5 Green(RAL6018/T)	
12	12	6 Blue (RAL5015/A)	
		8 Grey(RAL7035/D)	
		9 White(RAL1102)	
		C Green(RAL6018/U)	

mat'l. code	surface ASME Y14.5	tolerance ASME Y14.5	projection	product family
ltr ecn no dr date	tolerances unless otherwise specified	angles	MM	TERMINAL BLOCK
	X.±0.5	X'±1°	scale	TERMINAL BLOCK
	X.X±0.3			RISING CLAMP,SINGLE TAIL TYPE
	X.XX±0.1			dwg no sheet 1 of 1 size
dr EVIN ZHONG 041414				VPxx65x400J0G A4
enrg EVIN ZHONG 041414				type CUSTOMER Drawing
chr HANKE FENG 041414				
appd SHI JUN 041414				
sheet index	revision sheet	A 1		