

Excellent Integrated System Limited

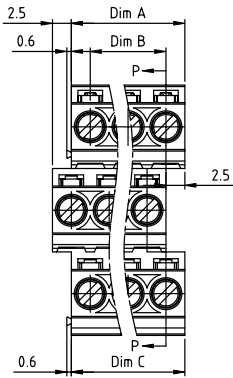
Stocking Distributor

Click to view price, real time Inventory, Delivery & Lifecycle Information:

[FCI](#)
[YH06215100J0G](#)

For any questions, you can email us directly:
sales@integrated-circuit.com

PRODUCT NUMBER	PITCH
YHxx21x100JOG	5.08 mm



DIMENSION

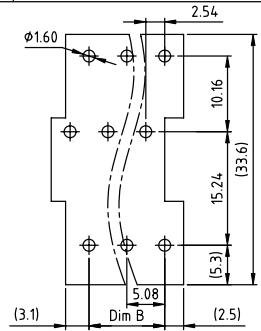
Dim A	N/3x5.08
Dim B	(N/3-1)x5.08
Dim C	N/3x5.08

N=Number of poles

Poles	Tolerance
3x2poles~3x6poles	±0.15
3x7poles~3x12poles	±0.25
3x13poles~3x18poles	±0.35
3x19poles~3x24poles	±0.40

PART NO.: YH xx 21 x 1 00J0 G

End stackable	Color	RoHS compliant
No. of poles	0 Black (RAL9005)	(lead<4%)
06 3x2poles	2 Red (RAL3001/D)	In copper Alloy
09 3x3poles	3 Orange(RAL2011/P)	
...	4 Yellow(RAL1018/A)	
...	5 Green(RAL6018/T)	
72 3x24poles	6 Blue (RAL5015/A)	
	8 Grey(RAL7035/D)	
	9 White(RAL1102)	
	C Green(RAL6018/U)	



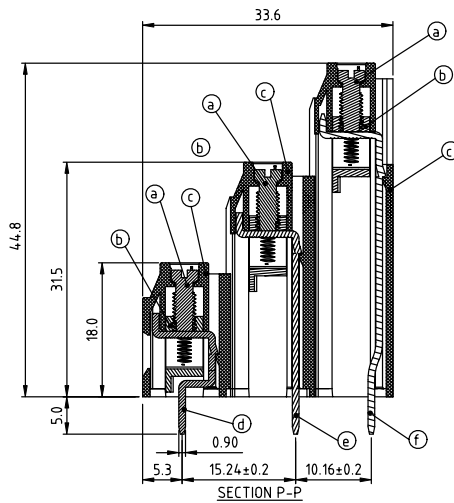
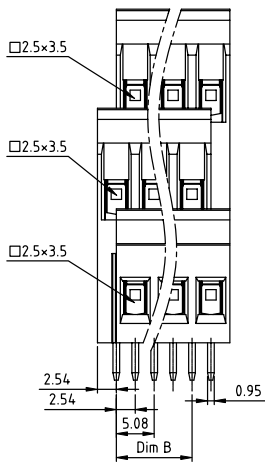
RECOMMENDED P.C.B LAYOUT
 TOP VIEW

Material

- Item ① Terminal screw: Steel Zinc plating "-" slot type
- Item ② Clamp : Brass , Ni plating
- Item ③ Terminal housing : Thermoplastic (UL94V-0)
- Item ④ Solder pin1 : Brass, Tin plated
- Item ⑤ Solder pin2 : Brass, Tin plated
- Item ⑥ Solder pin3 : Brass, Tin plated

Electrical

- Voltage rating: 300VAC
- Current rating: 20A
- Wire range:
- Solid wire(AWG): 12-28
- Stranded wire(AWG): 12-28
- Torque(Lb-In): 4.3
- Screw: M3
- Wire strip length: 6-7mm
- Withstanding Voltage: 1.6KV
- Operating temperature: -40°C to +115°C
- Soldering temperature: 260°C±5°C/5 Sec
- Safety Approval: cULus



SECTION P-P

mat'l. code	surface	tolerance	projection	product family
	ASME Y14.5	ASME Y14.5		TERMINAL BLOCK
ltr	ecn no	dr	date	title
				TERMINAL BLOCK
				RISING CLAMP,100D WIRE INLET,END STACKABLE
				dwg no
				sheet 1 of 1
				size
				A4
				type
				CUSTOMER Drawing
sheet index	revision sheet	A	1	

