

Excellent Integrated System Limited

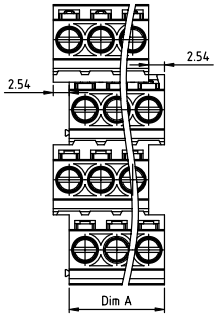
Stocking Distributor

Click to view price, real time Inventory, Delivery & Lifecycle Information:

[FCI](#)
[YI08215100JOG](#)

For any questions, you can email us directly:
sales@integrated-circuit.com

PRODUCT NUMBER	PITCH
Y1xx21x100J0G	5.08 mm



DIMENSION

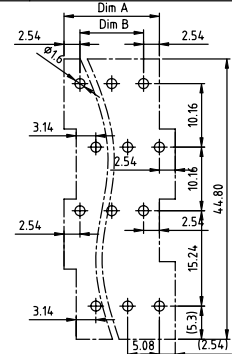
Dim A=N/4x5.08
Dim B=(N/4-1)x5.08

N=Number of poles

Poles	Tolerance
8poles~24poles	±0.15
28poles~48poles	±0.25
52poles~72poles	±0.30
76poles~96poles	±0.40

PART NO.: Y1 xx 21 x 1 00J0 G

- | | | | |
|---------------|------------|--------------------|-----------------|
| End stackable | 0 | Color | RoHS compliant |
| No. of poles | 08 | Black (RAL9005) | (lead-4%) |
| 4x2 poles | 12 | Red (RAL3001/D) | In copper Alloy |
| 4x3 poles | ... | Orange(RAL2011/P) | |
| ... | ... | Yellow(RAL1018/A) | |
| 96 | 4x24 poles | Green(RAL6018/T) | |
| | | Blue (RAL5015/A) | |
| | | Grey(RAL7035/D) | |
| | | White(RAL1102) | |
| | | C Green(RAL6018/U) | |

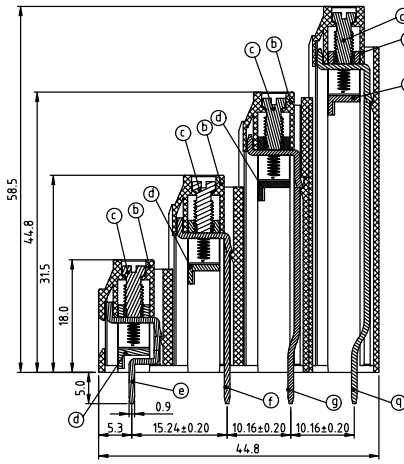
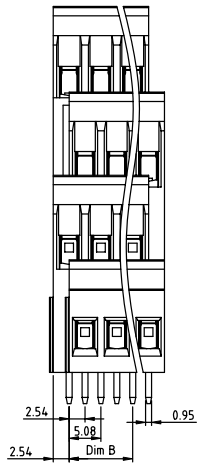


RECOMMENDED P.C.B LAYOUT

TOP VIEW

Material:

- Item ① Terminal housing : Thermoplastic (UL94V-0)(YG5.08)
 - Item ② Terminal housing : Thermoplastic (UL94V-0)(YH5.08)
 - Item ③ Terminal screw : Steel Zinc plating "-" slot type
 - Item ④ Clamp : Brass , Ni plating
 - Item ⑤ Solder pin1 : Brass, Tin plated
 - Item ⑥ Solder pin2 : Brass, Tin plated
 - Item ⑦ Solder pin3 : Brass, Tin plated
 - Item ⑧ Solder pin4 : Brass, Tin plated
- Electrical cULus**
- Voltage rating: 300VAC
 - Current rating: 15A
 - Wire range:
 - Solid wire(AWG): 12-28
 - Stranded wire(AWG): 12-28
 - Torque(Lb-In): 4.3
 - Screw: M3
 - Wire strip length: 6-7mm
 - Withstanding Voltage: 1.6KV
 - Operating temperature: -40°C to +115°C
 - Soldering temperature: 260°C±5°C/5 Sec



mat'l. code	surface	tolerance	projection	product family
	ASME Y14.5	ASME Y14.5	MM	TERMINAL BLOCK
ltr	ecn	no	dr	date
tolerances unless otherwise specified				
angles	X.±0.5			
radii	X.X±0.3			
X'±1'	X.XX±0.1			
dr	EVIN ZHONG	041114		
enrg	EVIN ZHONG	041114		
chr	HANKE FENG	041114		
appd	SHI JUN	041114		
sheet index	revision	A		
	sheet	1		

