



Distributor of FCI: Excellent Integrated System Limited

Datasheet of YK61402030J0G - Connector Barrier Block Strip 2 Circuit 0.394" (10.00mm)

Contact us: sales@integrated-circuit.com Website: www.integrated-circuit.com

Excellent Integrated System Limited

Stocking Distributor

Click to view price, real time Inventory, Delivery & Lifecycle Information:

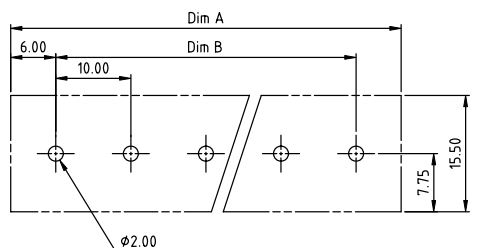
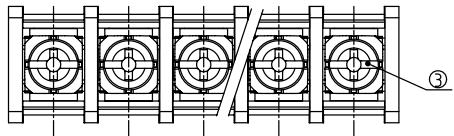
[FCI](#)

[YK61402030J0G](#)

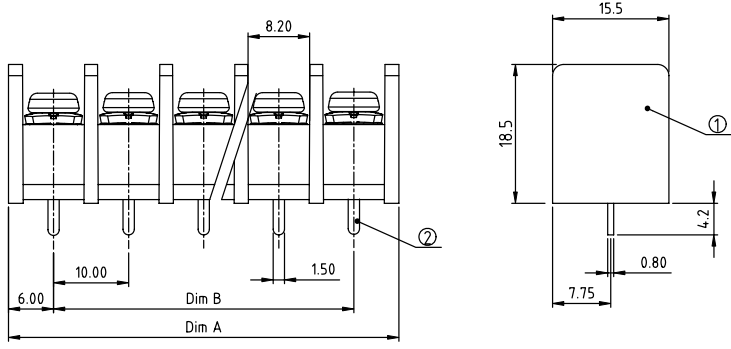
For any questions, you can email us directly:

sales@integrated-circuit.com

PRODUCT NUMBER	PITCH
YK614xx0x0JOG	10.00 mm



RECOMMENDED P.C.B. LAYOUT
TOP VIEW



MATERIALS ELECTRICAL
 RATED VOLTAGE & CURRENT: 300 V, 25 A
 WITHSTAND VOLTAGE: AC 2000 V/Min
 INSULATION RESISTANCE: 1000 MΩ OR MORE AT DC 500 V
 OPERATING TEMPERATURE RANG: -40 °C ~ +115 °C
 SCREW TORQUE VALUE: 8.8 Lb-In.
 WIRE RANGE: 22 - 12 AWG
 1) HOUSING: Thermoplastic, UL 94 V-0 BLACK
 2) TERMINAL: BRASS, 0.8t
 3) TERMINAL SCREWS: STEEL, M3.5
 APPROVAL:

DIMENSION

Dim A	Nx10.0+2.0
Dim B	(N-1)x10.0

PART NO.: YK 614xx 0 x 0 JOG

N=Number of poles

Poles	Tolerance
2p-5p	±0.20
6p-10p	±0.25
11p-16p	±0.35
17p-24p	±0.40
25p-32p	±0.50

No. of poles
 02 2 poles
 03 3 poles

 32 32 poles

Plated

Code	Terminal	Screw
0	G/F	G/F
1	G/F	Zinc
2	Tin	G/F
3	Tin	Zinc

RoHS compliant
(lead<4%)
In copper Alloy

mat'l. code	surface ASME Y14.5 ✓ tolerance unless otherwise specified	tolerance ASME Y14.5 X.±0.5 X.X±0.3 X.XX±0.1	projection MM scale	product family TERMINAL BLOCK
ltr	ecn	no	dr	date
dr	ENGR	LU	061614	
enr	ENGR	LU	061614	
chr	HANKE	FENG	061614	
appd	SHI	JUN	061614	
sheet index	revision sheet	A 1		
title TERMINAL BLOCK BARRIER TYPE				sheet 1 of 1 size A4
dwg no YK614xx0x0JOG				type CUSTOMER Drawing