

Excellent Integrated System Limited

Stocking Distributor

Click to view price, real time Inventory, Delivery & Lifecycle Information:

[Würth Electronics Inc](#)
[749020011A](#)

For any questions, you can email us directly:
sales@integrated-circuit.com

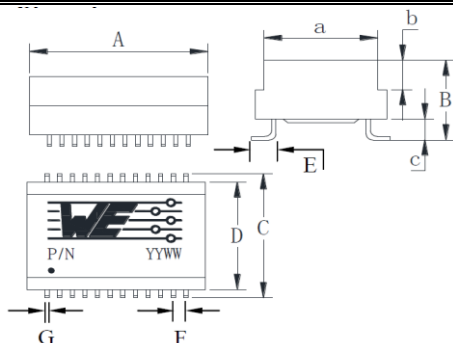
Spezifikation für Freigabe / specification for release

Kunde / customer :
 Artikelnummer / part number : **749020011A**
 Bezeichnung : **LAN-Übertrager WE-LAN**
 description : **LAN-Transformer WE-LAN**



DATUM / DATE : 2015-01-26

A Mechanische Abmessungen / dimensions :



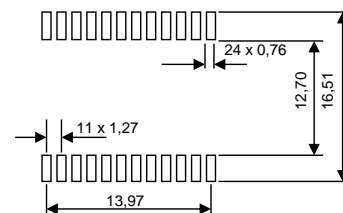
	1000 BaseT	
A	17,50 ± 0,25	mm
B	6,50 max.	mm
C	15,24 ± 0,25	mm
D	14,20 ± 0,25	mm
E	1,20 ± 0,05	mm
F	1,27 ± 0,05	mm
G	0,30 ± 0,10	mm
a	12,65 ± 0,25	mm
b	2,3 ± 0,25	mm
c	2,00 max.	mm

● = Pin 1

B Elektrische Eigenschaften / electrical properties :

Eigenschaften / properties	Testbedingungen / test conditions		Wert / value	Einheit / unit	tol.
Induktivität / Inductance	100kHz / 100mV @ 8mA DC-Bias	OCL	350	µH	min.
Übersetzungsverhältnis / Turns ratio	100kHz / 100mV	TR	1 : 1	Tx	3%
			1 : 1	Rx	
Insertion Loss	1-100MHz	IL	-1,0	dB	max.
Return Loss	1-40MHz @ 100Ω	RL	-18	dB	min.
	50MHz @ 100Ω		-16		
	60-80MHz @ 100Ω		-12		
	100MHz @ 100Ω		-10		
Differential to Common Mode Rejection	30MHz	DCMR	-43	dB	min.
	60MHz		-37		
	100MHz		-33		
Crosstalk	60MHz	CT	-40	dB	min.
	100MHz		-35		

C Lötpad / soldering spec. :



D Prüfgeräte / test equipment :

HP-4284
 HP-8714
 CH-19073
 CH-3250

E Testbedingungen / test conditions :

Luftfeuchtigkeit / humidity: 33%
 Umgebungstemperatur / temperature: +25°C

F Werkstoffe & Zulassungen / material & approvals :

Basismaterial / base material: Ferrit/ ferrite
 Draht / wire: 0UEW QPN200
 Kontaktmaterial/ contact plating: Cu-Ni-Sn
 Gehäuse / case: Bakelite & UL94-V0
 MSL Level 1
 Verguss / potting: UL94-V0

G Eigenschaften / general specifications :

Betriebstemp. / Operating temperature: -40°C - + 85°C
 Hochspannungsprüfung / Hipot test: 1500Vrms 1min.
 Geeignet für 1000BaseT-Anwendungen gemäß IEEE 802.3ab /
 Compliant with IEEE 802.3ab for 1000BaseT
 Sn Stärke vor dem Heißverzinne 5 µm min. /
 Sn thickness before hot dip soldering 5 µm min.
 Ni Stärke 1 µm min. / Ni thickness 1 µm min.

Freigabe erteilt / general release:		Kunde / customer	
.....		
Datum / date	Unterschrift / signature		
.....		Würth Elektronik	
.....		
Geprüft / checked	Kontrolliert / approved		
.....		
		JaB	Revision 05 2015-01-26
		Mle	Revision 04 2014-07-28
		Mle	Revision 03 2014-01-08
		Mle	Revision 02 2013-08-02
		Mle	Revision 01 2013-06-18
		Mle	Revision 00 (Preliminary) 2013-03-26
		Name	Änderung / modification Datum / date

Würth Elektronik eiSos GmbH & Co.KG

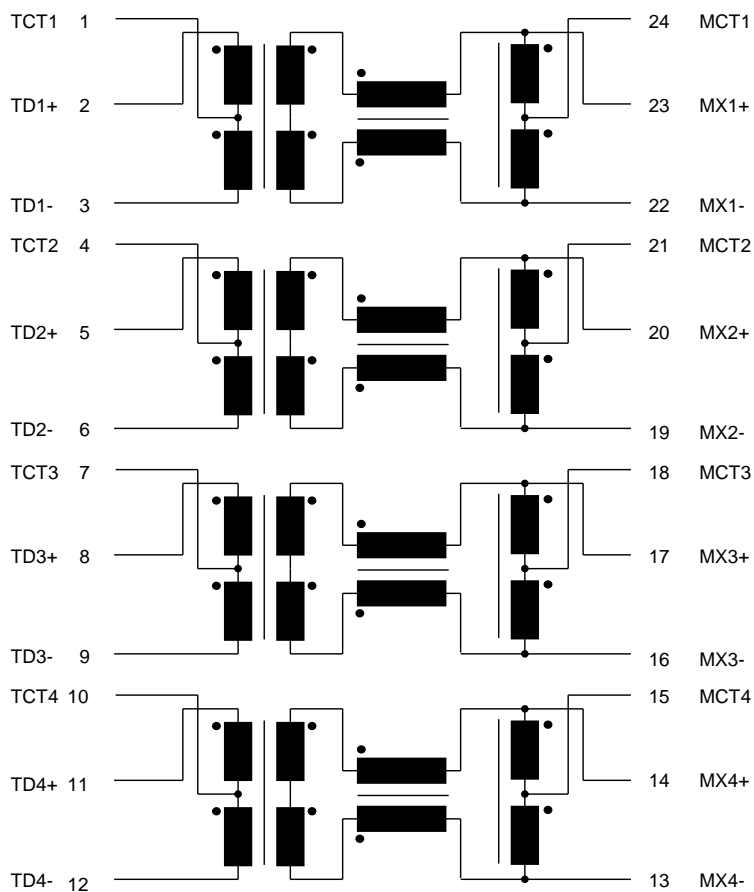
Spezifikation für Freigabe / specification for release

Kunde / customer :
 Artikelnummer / part number : **749020011A**
 Bezeichnung : **LAN-Übertrager WE-LAN**
 description : **LAN-Transformer WE-LAN**



DATUM / DATE : 2015-01-26

H Schaltbild / Schematics :



Freigabe erteilt / general release:	Kunde / customer			
Datum / date	Unterschrift / signature			
	Würth Elektronik			
Geprüft / checked	Kontrolliert / approved			
		JaB	Revision 05	2015-01-26
		Mle	Revision 04	2014-07-28
		Mle	Revision 03	2014-01-08
		Mle	Revision 02	2013-08-02
		Mle	Revision 01	2013-06-18
		Mle	Revision 00 (Preliminary)	2013-03-26
		Name	Änderung / modification	Datum / date

Würth Elektronik eiSos GmbH & Co.KG

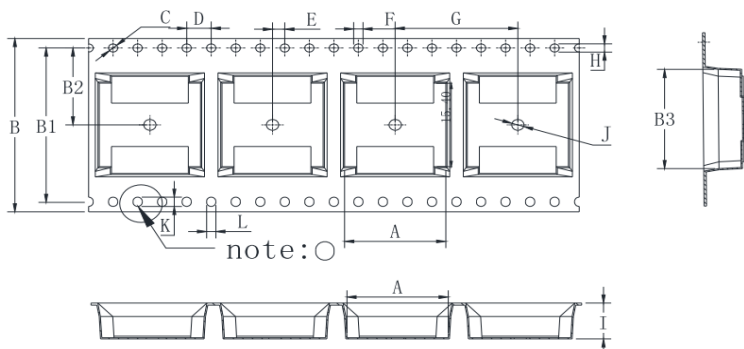
Spezifikation für Freigabe / specification for release

Kunde / customer :
 Artikelnummer / part number : **749020011A**
 Bezeichnung : **LAN-Übertrager WE-LAN**
 description : **LAN-Transformer WE-LAN**



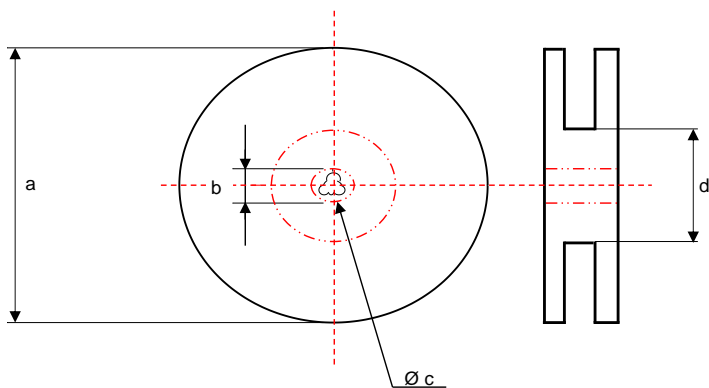
DATUM / DATE : 2015-01-26

I Rollenspezifikation / tape and reel specification :



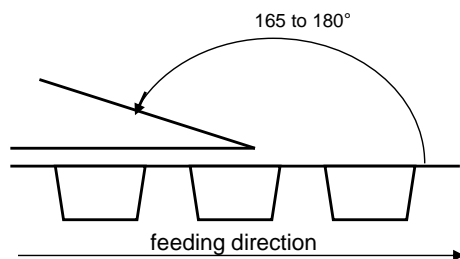
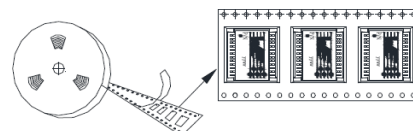
Gurtspezifikation / Tape specification:

A	16,50 ± 0,1	mm
B	32,00 ± 0,3	mm
B1	28,40 ± 0,1	mm
B2	14,20 ± 0,1	mm
B3	17,93 ± 0,1	mm
C	1,50 +0,1/-0	mm
D	4,00 ± 0,1	mm
E	2,00 ± 0,1	mm
F	1,50 +0,1/-0	mm
G	20,00 ± 0,1	mm
H	1,50 +0,1/-0	mm
I	6,60 ± 0,1	mm
J	2,00 +0,1/-0	mm
K	1,70 +0,1/-0	mm
L	1,50 +0,1/-0	mm



Rollenspezifikation / Reel specification:

a	330,0 ± 2,0	mm
b	21,00 ± 0,8	mm
c	13,60 ± 0,5	mm
d	100,0 ± 1,0	mm



Package Quantity:

reel = 350pcs
 carton = 3500pcs

The force for tearing off cover tape is 40 to 120 grams in arrow direction

Freigabe erteilt / general release:

Datum / date	Kunde / customer		
	Unterschrift / signature		
Geprüft / checked	Würth Elektronik		
	Kontrolliert / approved		
		JaB	Revision 05 2015-01-26
		Mle	Revision 04 2014-07-28
		Mle	Revision 03 2014-01-08
		Mle	Revision 02 2013-08-02
		Mle	Revision 01 2013-06-18
		Mle	Revision 00 (Preliminary) 2013-03-26
		Name	Änderung / modification Datum / date

This electronic component has been designed and developed for usage in general electronic equipment. Before incorporating this component into any equipment where higher safety and reliability is especially required or if there is the possibility of direct damage or injury to human body, for example in the range of aerospace, aviation, nuclear control, submarine, transportation, (automotive control, train control, ship control), transportation signal, disaster prevention, medical, public information network etc, Würth Elektronik eiSos GmbH must be informed before the design-in stage. In addition, sufficient reliability evaluation checks for safety must be performed on every electronic component which is used in electrical circuits that require high safety and reliability functions or performance.

Würth Elektronik eiSos GmbH & Co.KG