

Excellent Integrated System Limited

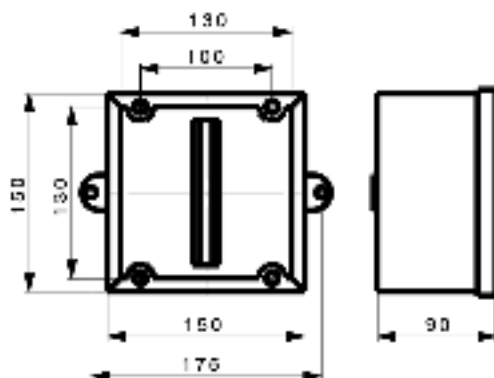
Stocking Distributor

Click to view price, real time Inventory, Delivery & Lifecycle Information:

[Weidmüller](#)
[3873700000](#)

For any questions, you can email us directly:

sales@integrated-circuit.com


General ordering data

| | |
|------------------|---|
| Order No. | 3873700000 |
| Part designation | STB 2 S-ST1.4404 |
| Version | Ex enclosure, 90 mm, 150 mm, 150 mm, Stainless steel 1.4404 |
| EAN | 4008190498429 |
| Qty. | 1 pc(s). |

Dimensions

| | |
|-------------------------|--------|
| Fixing dimension, width | 175 mm |
| Height | 90 mm |
| Length | 150 mm |
| Width | 150 mm |

General details

| | |
|---------------------------------|-------------------------------------|
| Cover fixing | 4 x M6 captive (hexagon) |
| Enclosure fixing | 8 mm holes through outside mounting |
| Integral fixing | TAS 20 rail welded to floor |
| Resistance to shocks | 7 J |
| Sealing material | Chloroprene (cover & flange) |
| Version cover | closed |
| Colour | shiny, electropolished |
| Surface finish | polished, chemically immersed |
| Class of protection to EN 60529 | IP 66 |
| Weight | 1,900 g |
| Ambient temperature, min. | -20 °C |
| Ambient temperature, max. | 85 °C |

Screwed cable glands top/bottom

| | |
|-------------------|--------------|
| M 12 | 10 |
| M 16 | 10 |
| M 20 | 4 |
| M 25 | 3 |
| M 32 | 2 |
| Side of enclosure | Top / Bottom |

Screwed cable glands top/bottom

Screwed cable glands, left/right

| | |
|-----------------|--------------|
| M12 | 14 |
| M16 | 8 |
| M20 | 6 |
| M25 | 3 |
| M32 | 2 |
| M40 | 1 |
| On housing side | left / right |

Approvals

Approvals institutes



Classifications

| | |
|------------|-------------|
| ETIM 2.0 | EC000049 |
| ETIM 3.0 | EC000049 |
| eClass 4.1 | 27-14-12-06 |
| eClass 5.0 | 27-18-05-02 |
| eClass 5.1 | 27-18-05-02 |

Similar products

| Order No. | Part designation | Version |
|------------|------------------|--|
| 3873300000 | STB 1 S-ST1.4404 | Ex enclosure, 80 mm, 120 mm, 120 mm, Stainless steel 1.4404 |
| 9524780000 | STB 1.1 S/S | Ex enclosure, 80 mm, 150 mm, 120 mm, Stainless steel 1.4404 |
| 9513890000 | STB 3 S-ST1.4404 | Ex enclosure, 100 mm, 190 mm, 190 mm, Stainless steel 1.4404 |
| 9513920000 | STB 4 S-ST1.4404 | Ex enclosure, 120 mm, 250 mm, 250 mm, Stainless steel 1.4404 |
| 9505300000 | STB 5 S-ST1.4404 | Ex enclosure, 120 mm, 160 mm, 380 mm, Stainless steel 1.4404 |
| 9505310000 | STB 6 S-ST1.4404 | Ex enclosure, 130 mm, 250 mm, 400 mm, Stainless steel 1.4404 |