

Excellent Integrated System Limited

Stocking Distributor

Click to view price, real time Inventory, Delivery & Lifecycle Information:

[Taiyo Yuden](#)
[EYSMACAXX](#)

For any questions, you can email us directly:

sales@integrated-circuit.com

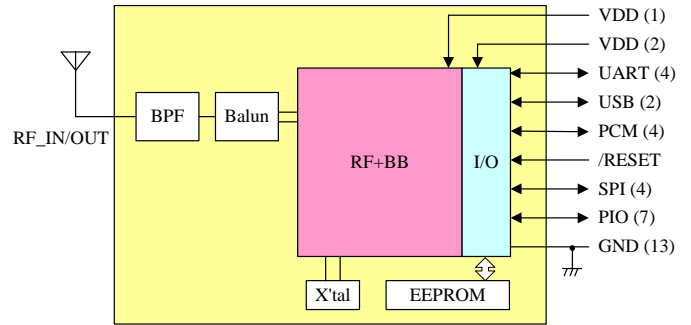


BT: SMD type Module - HCI

Features EYSMACAXX

- The module is a Max.4dBm (Class2) module.
- Bluetooth*® standard Ver. 2.1+EDR conformity.
- Internal baseband clock oscillator.
- Low current consumption
- Support functions
 - Hold, Sniff, Park, AFH & Faster connection, EDR, SSP, SSR, EIR, EPR
- Interface: UART/USB/PCM
- Protocol stack: Under HCI firmware.
- Outline: 8.1 x 9.2 x 1.6 mm
- Complete Lead Free
- RoHS (2002/95/EC) Available
- SMD Type module

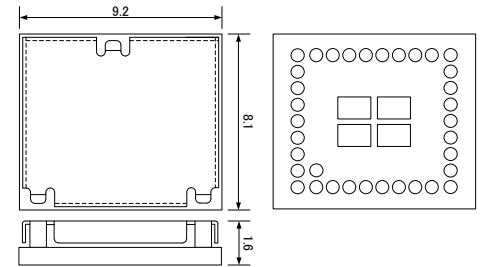
Block Diagram



General Electrical Specification

Parameter	Description	Min.	Typ.	Max.	Units
Carrier Frequency		2.402		2.480	GHz
Operating Voltage (VDD)		3.15	3.3	3.45	V
RF Output Power	Measured in 50 ohm	-6	0	4	dBm
RX Sensitivity		-	-83	-70	dBm
Load Impedance	No abnormal Oscillation	-		5:1	-
Input Low Voltage	/RESET, UART, PIOX, PCM, SPI	-0.3		0.8	V
Input Low Voltage	USB	-		0.8	V
Input High Voltage	/RESET, UART, PIOX, PCM, SPI	0.7 x VDD		VDD +0.3	V
Input High Voltage	USB	2.0		-	V
Output Low Voltage	UART, PIOX, PCM, SPI	-		0.4	V
Output Low Voltage	USB	-		0.3	V
Output High Voltage	UART, PIOX, PCM, SPI	0.8 x VDD		-	V
Output High Voltage	USB	2.8		-	V
Average Current Consumption	Receive DM1	-	TBD	-	mA

Outline



Note: The above PRELIMINARY data are not guaranteed and are subject to change without notice.

Unit: mm

The *Bluetooth*® word mark and logos are owned by the *Bluetooth* SIG, Inc. and any use of such marks by TAIYO YUDEN CO.,LTD. is under license.