

## Excellent Integrated System Limited

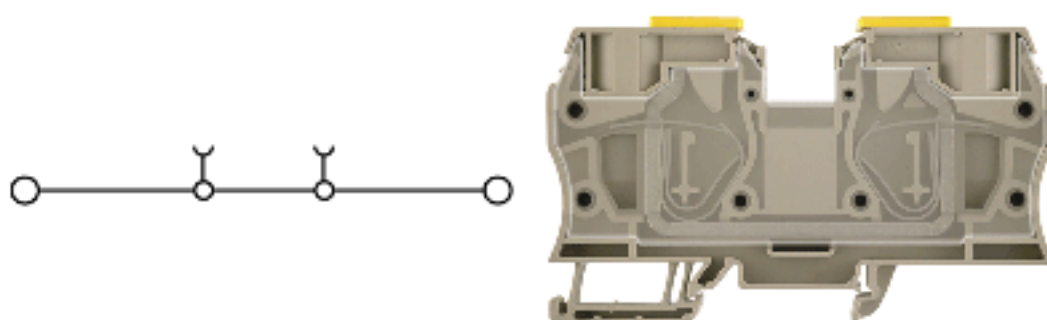
Stocking Distributor

Click to view price, real time Inventory, Delivery & Lifecycle Information:

[Weidmüller](#)  
[1739630000](#)

For any questions, you can email us directly:

[sales@integrated-circuit.com](mailto:sales@integrated-circuit.com)


**General ordering data**

Order No.	1739630000
Part designation	ZDU 35 BL
Version	Feed-through terminal, 35 mm <sup>2</sup> , Tension clamp connection, Wemid, blue, TS 35
EAN	4008190957087
Qty.	10 pc(s).

**Product notes**

Note, ordering data	End plate is integrated.
Note, technical data	Cross-connection of ZDU 10 and ZDU 35 is possible using the ZQV 35-10. Cross-connection of ZDU 16 and ZDU 35 is possible using the ZQV 35-16.
Product description	Z-series standard ranges provide solutions for conductor cross-sections from 0.05 to 35 mm <sup>2</sup> .

**PT OKIECEEx/ATEX rating data**

EU-type examination certificate	KEMA00ATEX2107U
Download, German	KEMA00ATEX2107U_d.pdf
Download English	KEMA00ATEX2107U_e.pdf
IECEX Certificate of Conformity	IECEXULD05.0009U
ATEX voltage	690 V
ATEX current	109 A
ATEX conductor cross-section	35 mm <sup>2</sup>
IECEX voltage	550 V
IECEX current	109 A
IECEX conductor cross-section	35 mm <sup>2</sup>
Voltage when using cross-connections	CrossConnectionGuide.pdf
Operating temperature range	Einsatztemperaturbereich siehe EG-Baumusterprüfbescheinigung/IECEX-Certificate of Conformity
Marking EN 60079-7	Ex e II
Marking ATEX Directive 94/9/EC	Ex II 2 G D

**Additional technical data**

Colour of insulating material	blue
Connection direction	top
End plate required	No
Explosion-tested version "Ex e"	Yes
Installation advice	TS 35
Insulating material	Wemid
Levels cross-connected internally	No
No. of identical terminals	1
No. of levels	1
No. of terminal strips per level	2
Open sides	closed
Operating temperature range	- 50 °C, + 120 °C
Product family	Z-series
Type of connection	Clamped
Type of mounting	Snap-on
UL 94 flammability rating of insulation material	V-0
Version	Feed-through terminal

**CSA rating data**

Voltage (CSA)	600 V
CSA current	120 A
Min. cross-section (CSA)	AWG 12
Max. cross-section (CSA)	AWG 2

**Conductors for clamping (additional connection)**

Flexible with ferrule, min. (DIN 46228 pt 1)	2.5 mm <sup>2</sup>
Flexible with ferrule, max. (DIN 46228 pt 1)	35 mm <sup>2</sup>

**Conductors for clamping (rated connection)**

Clamping range, min.	2.5 mm <sup>2</sup>
Clamping range, max.	35 mm <sup>2</sup>
Type of connection	Tension clamp connection
2nd type of connection	clamped
Connection direction	top
No. of connections	2
Stripping length	25 mm
Blade size	1.0 x 5.5 mm
Gauge to IEC 60947-1	A8
Solid, min.	2.5 mm <sup>2</sup>
Solid, max.	16 mm <sup>2</sup>
Stranded, min.	2.5 mm <sup>2</sup>
Stranded, max.	35 mm <sup>2</sup>
Flexible, min.	2.5 mm <sup>2</sup>
Flexible, max.	35 mm <sup>2</sup>
Flexible with ferrule, min. (DIN 46228/1)	2.5 mm <sup>2</sup>
Flexible with ferrule, max. (DIN 46228/1)	35 mm <sup>2</sup>
Flexible, min., ferrule with plastic collar (DIN 46228 pt 4)	2.5 mm <sup>2</sup>
Flexible, max., ferrule with plastic collar (DIN 46228 pt 4)	35 mm <sup>2</sup>

#### Conductors for clamping (rated connection)

AWG conductor size, min.	AWG 12
AWG conductor size, max.	AWG 2
AWG conductor size, min.	3.31 mm <sup>2</sup>
AWG conductor size, max.	33.62 mm <sup>2</sup>

#### Dimensions

Width	16 mm
Height of lowest version	59 mm
Length	100.5 mm
TS 35 offset	47.5 mm

#### Rating data

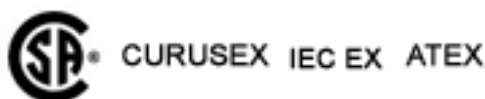
Rated cross-section	35 mm <sup>2</sup>
Rated voltage	800 V
Rated impulse voltage	8 kV
Rated current	125 A
Standards	IEC 60947-7-1
Current with max. conductor	125 A
Pollution severity	3

#### UL rating data

Voltage (UL)	600 V
Current (UL)	120 A
Min. cross-section (UL)	AWG 12
Max. cross-section (UL)	AWG 2

#### Approvals

Approvals institutes



#### Classifications

eClass 4.1	27-14-11-20
eClass 5.0	27-14-11-20
eClass 5.1	27-14-11-20

#### Similar products

Order No.	Part designation	Version
1739620000	ZDU 35	Feed-through terminal, 35 mm <sup>2</sup> , Tension clamp connection, Wemid, dark beige, TS 35