



Excellent Integrated System Limited

Stocking Distributor

Click to view price, real time Inventory, Delivery & Lifecycle Information:

[Molex Connector Corporation](#)
[39100-2502](#)

For any questions, you can email us directly:

sales@integrated-circuit.com

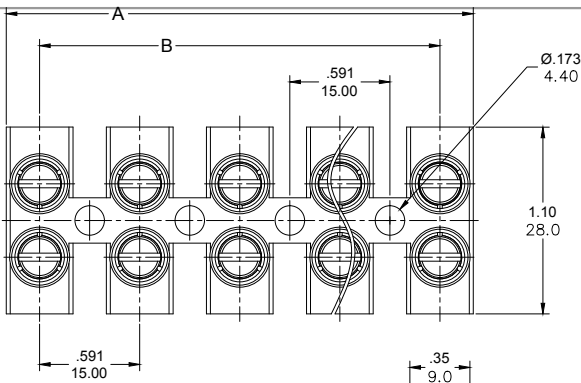
Contact us: sales@integrated-circuit.com Website: www.integrated-circuit.com

PART NUMBER DATA

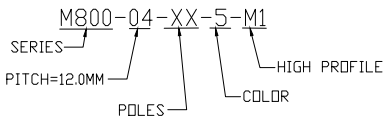
CIRCUITS	PART NUMBER	ENGINEERING NUMBER	COLOR	A IN mm	B IN mm
2	391002502	M800-04-02-5-M1	WHITE	.98	25.0
3	391002503	M800-04-03-5-M1	WHITE	1.57	40.0
4	391002504	M800-04-04-5-M1	WHITE	2.17	55.0
5	391002505	M800-04-05-5-M1	WHITE	2.76	70.0
6	391002506	M800-04-06-5-M1	WHITE	3.35	85.0
7	391002507	M800-04-07-5-M1	WHITE	3.94	100.0
8	391002508	M800-04-08-5-M1	WHITE	4.53	115.0
9	391002509	M800-04-09-5-M1	WHITE	5.12	130.0
10	391002510	M800-04-10-5-M1	WHITE	5.71	145.0
11	391002511	M800-04-11-5-M1	WHITE	6.30	160.0
12	391002512	M800-04-12-5-M1	WHITE	6.89	175.0

REF. LAST 2 DIGITS OF PART NUMBER EQUAL CIRCUIT COUNT

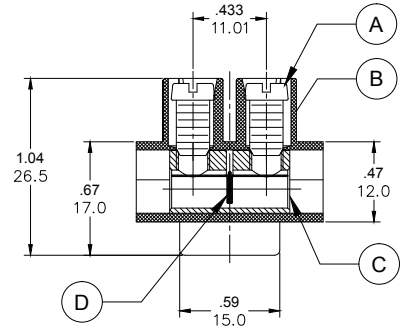
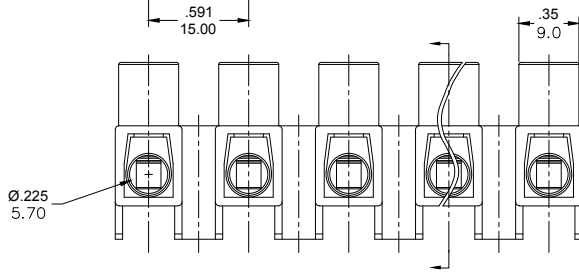
NOTE: IF THIS PRODUCT IS STORED IN AN ENVIRONMENT WITH A RELATIVE HUMIDITY OF LESS THAN 50%, MOISTURE MUST BE ADDED. REFER TO TECHNICAL ADVISORY AS 45499-001 FOR INSTRUCTIONS.



ENGINEERING NUMBER LEGEND

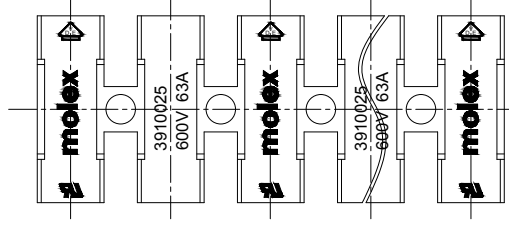


CONTACT FACTORY FOR OPTIONAL COLORS



SPECIFICATIONS:

- Material:
 - (A) Screw: Steel, Zinc plated
 - (B) Body: PA66 UL94 V-0
 - (C) Cage: Brass, Nickel plated
 - (D) Terminal: Stainless Steel
- Rating: 600V, 63amps
- Wire range: 14-6 AWG
- Max torque: 20.0 in lbs.
- Dielectric voltage withstand: DC 3000V for 1 minute.
- Insulation resistance: DC 1000V, 100G Ω
- Rated Impulse Voltage: 6000V, Plus and Minus 5 times each
- Strip Length: .31 in. (8.0mm)
- Operating Temperature: -40° C to +105° C
- Contact Resistance: < 3 mΩ
- All dims. shown are for reference only



ADDED MOISTURE NOTE EC NO: PC2016-1226 391/16 DRWN: RSTONE 2016/03/10 CHKD: MIZELINS 2016/03/10 APPR: KUCZYNIK 2014/07/21 REV C	QUALITY SYMBOL ▽=0 ▽=0	GENERAL TOLERANCES (UNLESS SPECIFIED) <table border="1"> <thead> <tr> <th></th> <th>mm</th> <th>INCH</th> </tr> </thead> <tbody> <tr><td>4 PLACES</td><td>±.01</td><td>±.0005</td></tr> <tr><td>3 PLACES</td><td>±.02</td><td>±.001</td></tr> <tr><td>2 PLACES</td><td>±0.13</td><td>±.01</td></tr> <tr><td>1 PLACE</td><td>±0.3</td><td>±.01</td></tr> <tr><td>ANGULAR</td><td>±.5°</td><td></td></tr> </tbody> </table>		mm	INCH	4 PLACES	±.01	±.0005	3 PLACES	±.02	±.001	2 PLACES	±0.13	±.01	1 PLACE	±0.3	±.01	ANGULAR	±.5°		DIMENSION STYLE IN/MM	SCALE ---	DESIGN UNITS METRIC	THIRD ANGLE PROJECTION
		mm	INCH																					
	4 PLACES	±.01	±.0005																					
	3 PLACES	±.02	±.001																					
2 PLACES	±0.13	±.01																						
1 PLACE	±0.3	±.01																						
ANGULAR	±.5°																							
		DRAWN BY DATE RSTONE 2014/07/11	TITLE TERMINAL STRIP 15MM HIGH PROFILE 600V																					
		CHECKED BY DATE G FARNSW ---	MATERIAL NO. SEE CHART																					
		APPROVED BY DATE JFMURPHY 2014/07/21	DOCUMENT NO. SD-39100-017																					

THIS DRAWING CONTAINS INFORMATION THAT IS PROPRIETARY TO MOLEX INCORPORATED AND SHOULD NOT BE USED WITHOUT WRITTEN PERMISSION