



**Distributor of EDAC Inc.: Excellent Integrated System Limited**

Datasheet of 629-W09-240-012 - D-Sub Connector Plug, Male Pins 9 Position Through Hole, Right Angle Solder

Contact us: [sales@integrated-circuit.com](mailto:sales@integrated-circuit.com) Website: [www.integrated-circuit.com](http://www.integrated-circuit.com)

---

## **Excellent Integrated System Limited**

Stocking Distributor

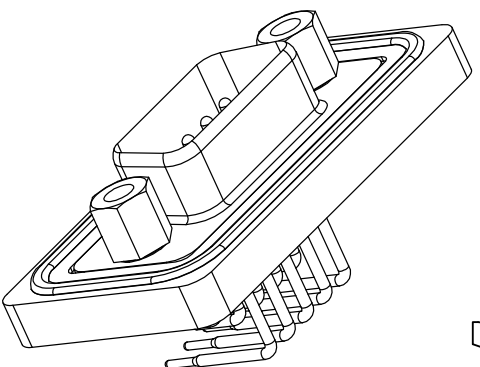
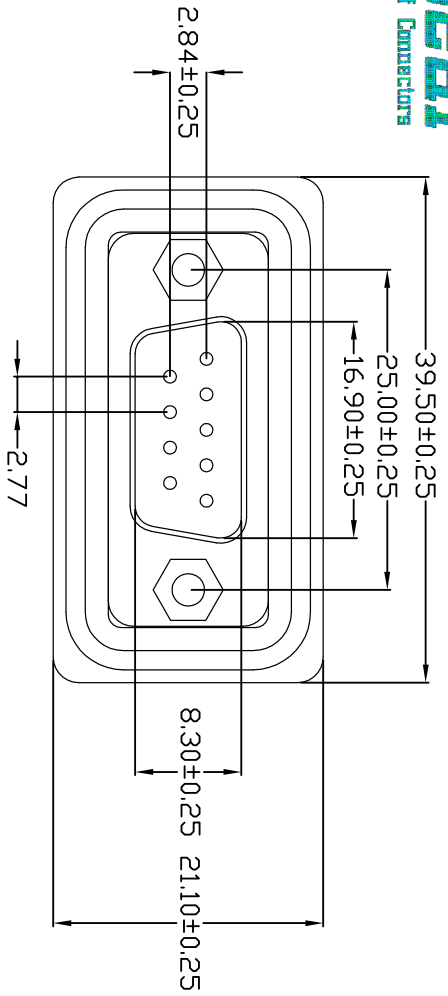
Click to view price, real time Inventory, Delivery & Lifecycle Information:

[EDAC Inc.](#)

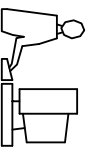
[629-W09-240-012](#)

For any questions, you can email us directly:

[sales@integrated-circuit.com](mailto:sales@integrated-circuit.com)

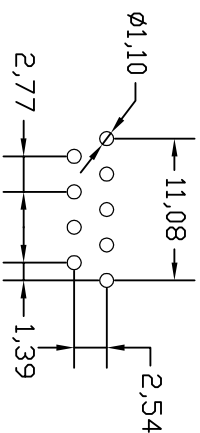
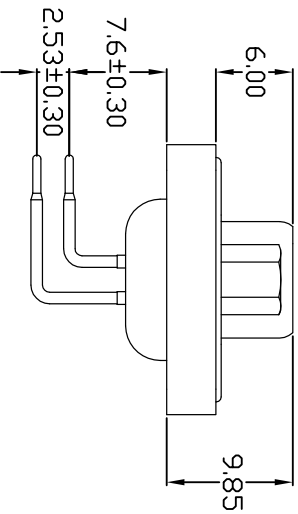
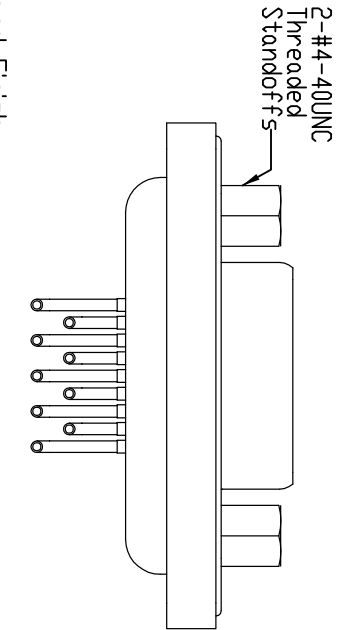


THIS IS A CAD GENERATED DRAWING  
DO NOT MAKE MANUAL REVISIONS TO MASTER



ISSUE NUMBER  
ORIGINAL

①



Contact us: [sales@integrated-circuit.com](mailto:sales@integrated-circuit.com) Website: [www.integrated-circuit.com](http://www.integrated-circuit.com)

**Materials and Finish**

- Insulator: PBT with Glass Fiber, UL94V-0, Black
- Shell: Steel, Nickel Plated
- Contact: Copper Alloy, with 2-Gold Flash Plating over Nickel
- Watertight Frame: PBT with Glass Fiber, UL94V-0, Black
- D-Ring: Silicone
- Epoxy Sealant: Epoxy
- DEGREE OF PROTECTION: IP67 AS PER IEC60529

**Electrical Characteristics**

- Current Rating: 5 Amperes
- Dielectric Withstanding Voltage: 1000 V, for 1 Minute
- Insulation Resistance: 5000 Megohm Min.
- Contact Resistance: 10 Milliohms Max.
- Temperature Range: -25C to +85C

Mounting Option  
2- #4-40 UNC THREADED HOLE

Contact Code  
40- RIGHT ANGLE TAIL, 10.3 [L406], STANDARD FOOTPRINT



THIS SERIES FULLY CONFORMS TO THE  
EUROPEAN UNION DIRECTIVES  
2011/65/EU FOR ROHS COMPLIANCY.

Standard Density Waterproof D-Sub Connector

PART NUMBER: 629-W09-240-012

PLUG



EDAC INC  
TORONTO, ONTARIO  
CANADA  
YOUR CONNECTION TO QUALITY & SERVICE

THESE DRAWINGS AND SPECIFICATIONS  
ARE THE PROPERTY OF EDAC INC AND  
SHALL NOT BE REPRODUCED OR COPIED  
OR USED AS THE BASIS FOR THE  
MANUFACTURE OR SALE OF APPARATUS  
WITHOUT WRITTEN PERMISSION.

ACAD REFERENCE NO. 627-629W Assembly

DRAWN: RSTAMONICA DATE: June 4/13

CHECKED: DATE:

SCALE: NTS SHEET 1 OF 1

DRAWING NUMBER 627-629W Assembly ISSUE 1