



**Distributor of EDAC Inc.: Excellent Integrated System Limited**

Datasheet of 628-W09-220-012 - D-Sub Connector Receptacle, Female Sockets 9 Position  
Through Hole Solder

Contact us: [sales@integrated-circuit.com](mailto:sales@integrated-circuit.com) Website: [www.integrated-circuit.com](http://www.integrated-circuit.com)

---

## **Excellent Integrated System Limited**

Stocking Distributor

Click to view price, real time Inventory, Delivery & Lifecycle Information:

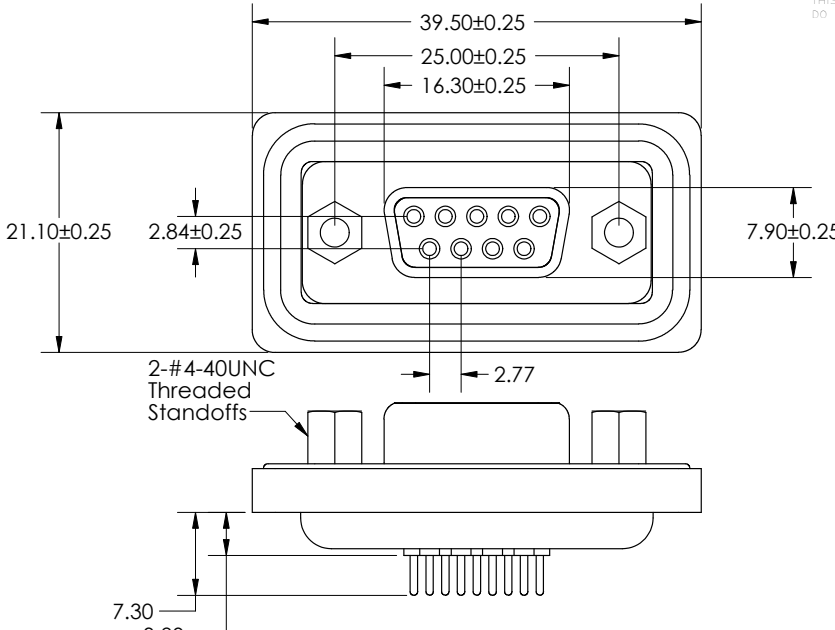
[EDAC Inc.](#)

[628-W09-220-012](#)

For any questions, you can email us directly:

[sales@integrated-circuit.com](mailto:sales@integrated-circuit.com)

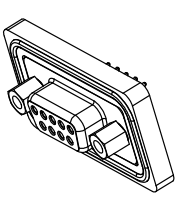
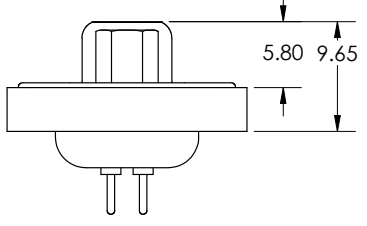
Contact us: [sales@integrated-circuit.com](mailto:sales@integrated-circuit.com) Website: [www.integrated-circuit.com](http://www.integrated-circuit.com)



39.50±0.25  
25.00±0.25  
16.30±0.25  
21.10±0.25  
2.84±0.25  
7.90±0.25  
2-#4-40UNC Threaded Standoffs  
2.77  
7.30  
3.80

THIS IS A C.A.D. GENERATED DRAWING  
DO NOT MAKE MANUAL REVISIONS TO MASTER

ISSUE NUMBER	ORIGINAL
--------------	----------

5.80 9.65

**Materials and Finish**

- Insulator: PBT with Glass Fiber, UL94V-0, Black
- Shell: Steel, Nickel Plated
- Contact: Copper Alloy, with 2-Gold Flash Plating over Nickel
- Watertight Frame: PBT with Glass Fiber, UL94V-0, Black
- O-Ring: Silicone
- Epoxy Sealant: Epoxy


DEGREE OF PROTECTION: IP67 AS PER IEC60529

**Electrical Characteristics**

- Current Rating: 5 Amperes
- Dielectric Withstanding Voltage: 1000 V, for 1 Minute
- Insulation Resistance: 5000 Megohm Min.
- Contact Resistance: 10 Milliohms Max.
- Working Temperature: -55C to +105C


**Mounting Option**  
2- #4-40 UNC THREADED HOLE

**Contact Code:**  
20- PC TAIL



THIS SERIES FULLY CONFORMS TO THE EUROPEAN UNION DIRECTIVES 2002/95/EC AND 2002/96/EC FOR RoHS COMPLIANCY.

Standard Density Waterproof D-Sub Connector RECEPTACLE PART NUMBER: 628-W09-220-012		ACAD. REFERENCE NO. 628-630W Assembly	
DRAWN: R.STA.MONICA	DATE: June,4/13	CHECKED:	DATE:
SCALE: NTS	SHEET 1 OF 1	DRAWING NUMBER	ISSUE
628-630W Assembly		1	



EDAC INC  
TORONTO, ONTARIO  
CANADA  
YOUR CONNECTION TO QUALITY & SERVICE

THESE DRAWINGS AND SPECIFICATIONS ARE THE PROPERTY OF EDAC INC., AND SHALL NOT BE REPRODUCED, OR COPIED OR USED AS THE BASIS FOR THE MANUFACTURE OR SALE OF APPARATUS WITHOUT WRITTEN PERMISSION.