



Distributor of EDAC Inc.: Excellent Integrated System Limited

Datasheet of 690-W05-260-043 - Connector Plug USB mini B 5 Position Free Hanging (In-Line)

Contact us: sales@integrated-circuit.com Website: www.integrated-circuit.com

Excellent Integrated System Limited

Stocking Distributor

Click to view price, real time Inventory, Delivery & Lifecycle Information:

[EDAC Inc.](#)

[690-W05-260-043](#)

For any questions, you can email us directly:

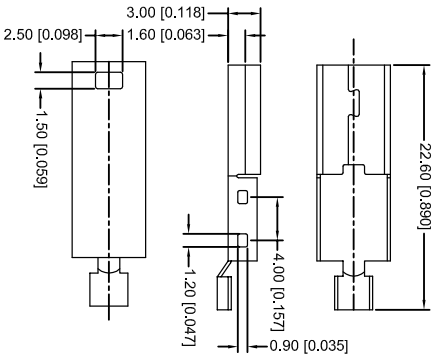
sales@integrated-circuit.com

Contact us: sales@integrated-circuit.com Website: www.integrated-circuit.com

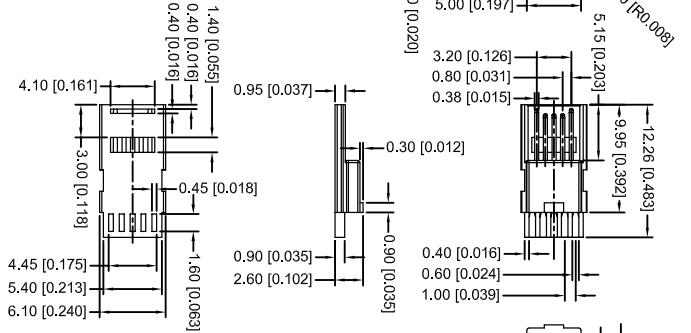


THIS SERIES FULLY CONFORMS TO THE EUROPEAN UNION DIRECTIVES 2002/95/EC AND 2002/96/EC FOR ROHS COMPLIANCY.

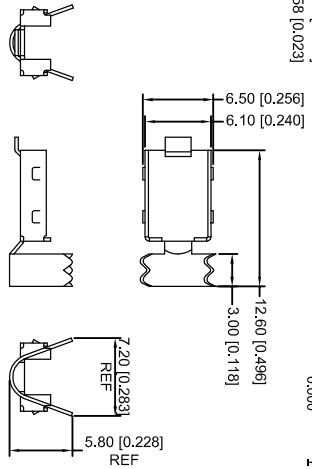
BOTTOM METAL SHELL



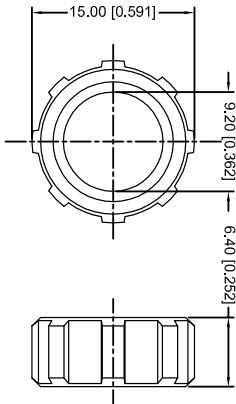
INSULATOR



TOP METAL SHELL



NUT



WATERPROOF MINI USB TYPE B, 5P (MALE)

EDAC INC
 TORONTO, ONTARIO
 CANADA
 YOUR CONNECTION TO QUALITY & SERVICE

THESE DRAWINGS AND SPECIFICATIONS ARE THE PROPERTY OF EDAC INC. AND SHALL NOT BE REPRODUCED OR COPIED OR USED AS THE BASIS FOR THE MANUFACTURE OR SALE OF APPARATUS WITHOUT WRITTEN PERMISSION.

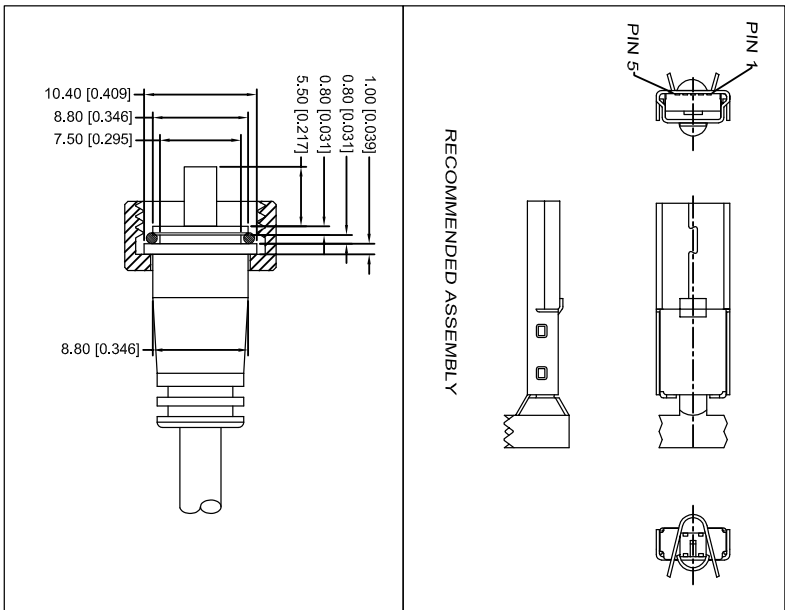
1. MATERIAL :

- 1-1. HOUSING : PBT UL 94V-0
- COLOR : BLACK
- 1-2. CONTACT : BRASS
- 1-3. NUT: PBT UL94V-0
- 1-4. O-RING : NBR (1*8) ; COLOR : BLACK.

2. FINISH :

- 2-1. CONTACT AREA : GOLD PLATED
- OTHER AREA : GOLD FLASH
- SOLDER AREA : BRIGHT TIN
- 3. SPECIFICATION:
- 3-1. WATER PROOF: IPX7
- 4. OPERATING TEMPERATURE:-25C TO +85C

RECOMMENDED ASSEMBLY



TOLERANCE UNLESS OTHERWISE SPECIFIED IN MM:	ANGLE	x°
0.0	4.0/20	
0.00	4.0/10	
0.000	4.0/5	

THIS IS A C.A.D. GENERATED DRAWING
 DO NOT MAKE MANUAL REVISIONS TO MASTER.



ISSUE NUMBER

ORIGINAL	①
UPDATE INSULATOR DESIGN	②
R.STA-MONICA	JUNE:18/2014

ACAD REFERENCE NO.: 690-W05-260-043

DRAWN: R.STA-MONICA DATE: MAY.01/2014

CHECKED: DATE:

PART NUMBER

690-W05-260-043

SHEET 1 OF 1

DRAWING NUMBER

690-W05-260-043

ISSUE

2