

Excellent Integrated System Limited

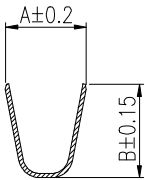
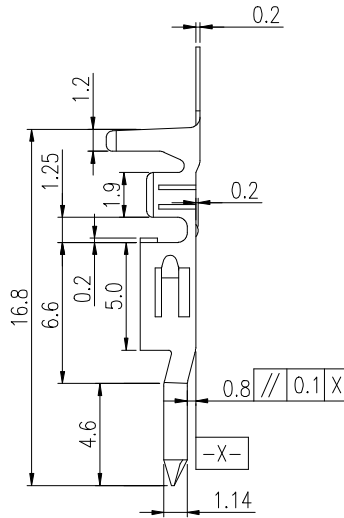
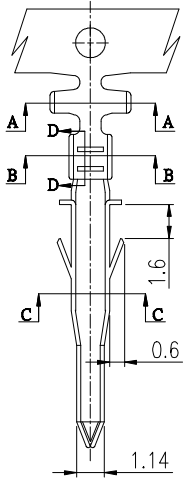
Stocking Distributor

Click to view price, real time Inventory, Delivery & Lifecycle Information:

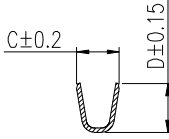
[FCI](#)
[10127818-111LF](#)

For any questions, you can email us directly:
sales@integrated-circuit.com

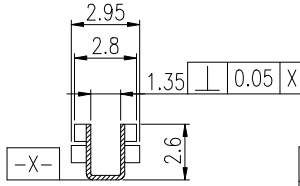
PRODUCT NUMBER
SEE PART NO. TABLE



SEC A-A



SEC B-B



SEC C-C

NOTES:

- MATERIAL: OPTIONAL.
- THIS TERMINAL IS USED WITH FCI PLUG HSG 10127816.
- PRODUCT SPECIFICATION: GS-12-1181.
- PACKAGE SPECIFICATION: GS-14-2362.
- PART NUMBER SCHEME:
10127818- X X X X LF
 - PLATING TYPE:
P: PRE-PLATED
BLANK: POST-PLATED
 - APPLICABLE AWG:
1. AWG #16~#22
2. AWG #24~#28
 - PLATING CODE:
1: GOLD FLASH
2: TIN
 - MATERIAL CODE:
1: PHOSPHORUS BRONZE
2: BRASS

6. DIMENSIONAL & PART NO. TABLE:

PART NO.	A	B	C	D	APPLICABLE WIRES
10127818-XX2XLF	3.2	3.4	1.8	2.2	#24~#28
10127818-XX1XLF	3.7	4.5	1.8	2.7	#16~#22

mat'l. code		surface	tolerance	projection	product family
A			X.X ±0.4	MM	PLUG TERMINAL FOR MINITEK PWR4.2 WIRE CONNECTOR
B			X.XX ±0.3		
C			X±1%		
itr		ecn no	dr	date	title
A			TAI	2013-11-11	PLUG TERMINAL FOR MINITEK PWR4.2 WIRE CONNECTOR
B		ELX-1-17193	TAI	2014-03-12	
C		ELX-1-18006	TAI	2014-06-19	
dr		KENNY TAI		2013-11-11	dwg no
enr		KENNY TAI		2013-11-11	
chr		KENNY TAI		2013-11-11	
appd		PM ZHENG		2013-11-22	
sheet index		revision sheet	C 1		sheet 1 of 1 size A4
					10127818
					CUSTOMER Drawing