

## Excellent Integrated System Limited

Stocking Distributor

Click to view price, real time Inventory, Delivery & Lifecycle Information:

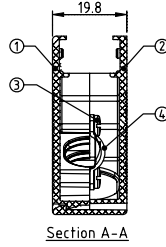
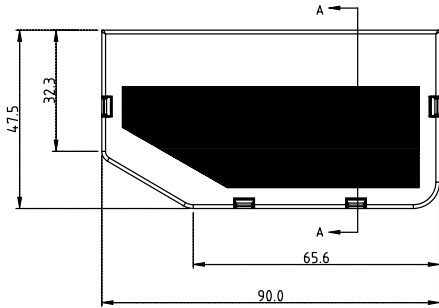
[FCI](#)

[AD18505000J0G](#)

For any questions, you can email us directly:

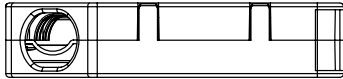
[sales@integrated-circuit.com](mailto:sales@integrated-circuit.com)

PRODUCT NUMBER	PITCH
AD18505000J0G	5.08 mm



**Material**

- Item ① Terminal (Bottom shell): Thermoplastic (UL94-HB) Color: Green(RAL6018/T)
- Item ② Terminal (Top shell): Thermoplastic (UL94-HB) Color: Green(RAL6018/T)
- Item ③ Screw: Steel Zinc plated, "-" solt. PA 2.9x8.9
- Item ④ Locating piece: SPCC (T=1.0mm), Zinc plated



mat'l. code	surface ASME Y14.5 ✓	tolerance ASME Y14.5	projection MM	product family TERMINAL BLOCK
ltr	ecn no	dr	date	title TERMINAL BLOCK ACCESSORIES
				dwg no AD18505000J0G
				sheet 1 of 1
				size A4
				type CUSTOMER Drawing
sheet index	revision sheet	A	1	