

## Excellent Integrated System Limited

Stocking Distributor

Click to view price, real time Inventory, Delivery & Lifecycle Information:

[FCI](#)  
[AE00002000J0G](#)

For any questions, you can email us directly:  
[sales@integrated-circuit.com](mailto:sales@integrated-circuit.com)

PRODUCT NUMBER	PITCH
AE00002000J0G	NA

**Material**

- Insulator (housing): Thermoplastic (UL94V-0)  
 Color:Red(RAL3001/D)

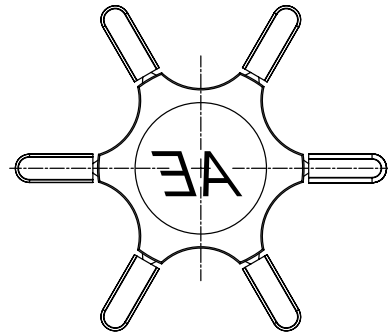
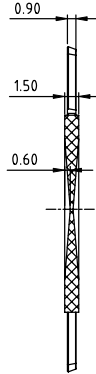
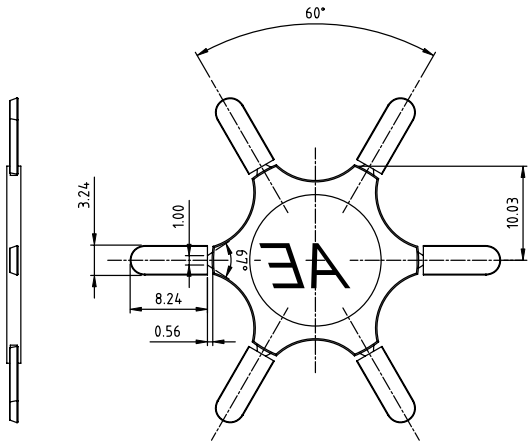
Match with the following series

Pitch 5.0/5.08/7.5/7.62

	TJ	TS	VM	VD	VH	EM	EZ	V7
AE	●	●	●	●	●	●	●	●
	V9	KI	EY	HI	HN	HP	HW	H4
AE	●	●	●	●	●	●	●	●

**NOTE:**

- 1:For the TJ series ,AE series only match with the "Contact on down side" type.
- 2:For the HW series,AE series only match with the "Contact on down side" type.



mat'l. code	surface ASME Y14.5	tolerance ASME Y14.5	projection	product family
ltr	ecn	no	dr	date
tolerances unless otherwise specified				title
angles	X.±0.5		MM	TERMINAL BLOCK
X'±1'	X.X±0.3		scale	ACCESSORIES,CODING KEY
dr	EVIN ZHONG	070814	FCI	dwg no
enrg	EVIN ZHONG	070814		sheet 1 of 1
chr	HANKE FENG	070814		size
appd	SHI JUN	070814		A4
sheet index	revision sheet	A 1		type
				CUSTOMER Drawing