

Excellent Integrated System Limited

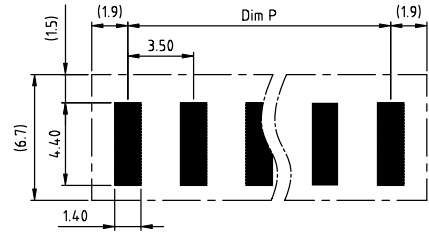
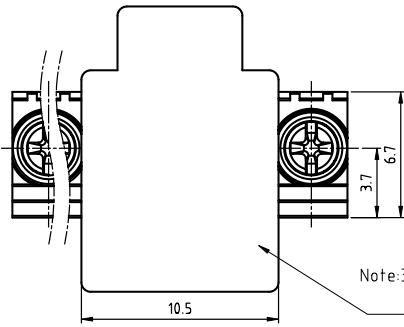
Stocking Distributor

Click to view price, real time Inventory, Delivery & Lifecycle Information:

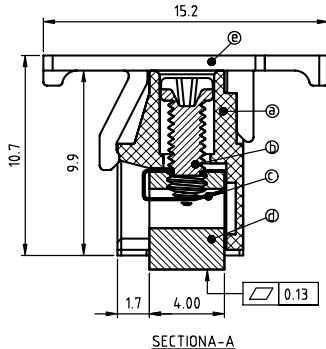
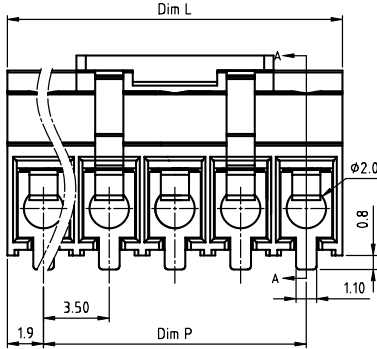
[FCI](#)
[EC021000B0J0G](#)

For any questions, you can email us directly:
sales@integrated-circuit.com

PRODUCT NUMBER	PITCH
ECxx10x0B0J0G	3.50 mm



RECOMMENDED P.C.B. LAYOUT
TOP VIEW



Materials

- Item ① Terminal body: High temp. polyamide (UL94V-0)
- Item ② Terminal screw: Steel Zinc plating "+/-" slot type
- Item ③ Wire guard: Stainless steel
- Item ④ Terminal :Brass(CuZn) Tin Plated
- Item ⑤ Terminal Cover: High temp. polyamide (UL94V-0)

Electrical

- UL
- Voltage rating: 150VAC
- Current rating: 10A
- Wire range:
 - Solid wire(AWG): 16-26
 - Stranded wire(AWG): 16-26
- Torque(Lb-In): 2.0
- Screw: M2.0
- Wire strip length: 5-6mm
- Withstanding Voltage: 1.6KV
- Operating temperature: -40°C to +115°C
- Reflow Soldering temperature: 260°C/10Sec max
- Safety Approval:

N = Number of poles
Dim L = N x 3.5 + 0.35
Dim P = (N - 1) x 3.5

Poles	Dim	Dim L	Dim P
2-6p		±0.25	±0.20
7-12p		±0.30	±0.25
13-16p		±0.35	±0.30

PART NO.: EC xx 10 x 0 B0J0 G

- Solid block 02 2 POLES 0
- Body Color Black (RAL9005)
- RoHS compliant (lead<4%) In copper Alloy
-
- 16 16 POLES

mat'l. code	surface ASME Y14.5 ✓ tolerance unless otherwise specified	tolerance ASME Y14.5 X.±0.5 X.X±0.3 X.XX±0.1	projection MM	product family TERMINAL BLOCK
ltr	ecn	no	dr	date
dr	ENGR	CHK	APPD	DATE
EVIN ZHONG	EVIN ZHONG	HANKE FENG	SHI JUN	040314
sheet index	revision sheet	A	1	



title	TERMINAL BLOCK
WIRE PROTECTOR, WITHOUT PILLAR, SMT TYPE, 180D WIRE INLET	
dwg no	ECxx10x0B0J0G
sheet 1 of 1	size A4
type	CUSTOMER Drawing