

## **Excellent Integrated System Limited**

Stocking Distributor

Click to view price, real time Inventory, Delivery & Lifecycle Information:

[Electroswitch](#)  
[C1D0206S-A](#)

For any questions, you can email us directly:

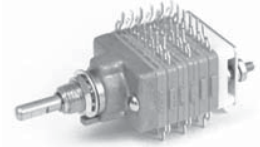
[sales@integrated-circuit.com](mailto:sales@integrated-circuit.com)

# C1 - SERIES

## SPECIFICATIONS AND ORDERING INFORMATION

0.865" WIDE 0.25 AMP @ 28 VDC

The C1 Series is our smallest enclosed rotary switch, offering index angles of 30°, 60°, and 90°. Standard designs utilize solder lug or vertical PC terminals and diallyl phthalate insulation.



### SPECIFICATIONS

#### ELECTRICAL

**Current and Voltage Rating:** Make and break resistive load 0.25 amp @ 28 VDC; 0.1 amp @ 125 VAC.  
**Current Carrying Capacity:** 6 amps.  
**Dielectric Strength:** 600 VAC between current carrying parts and ground.  
**Contact Resistance:** Average initial 5 milliohms.  
**Insulation Resistance:** In excess of 10,000 megohms.

**Hardware:** Mounting nut and lockwasher are shipped assembled.

#### MECHANICAL

**Materials and Finishes:** All parts utilize non-corrosive materials as standard.  
**Terminals and Contacts:** Brass with silver plate as standard.  
**Insulation:** Diallyl phthalate.  
**Index:** Dual-ball, hill and valley.  
**Index Life:** 25,000 cycles minimum.  
**Index Torque:** Switches have lowest practical torque consistent with crisp detenting and smooth, reliable operation.  
**Index Angles:** 30° standard, 60°, and 90° available.  
**Index Stops:** Fixed standard, adjustable, or continuous available.  
**Stop Strength:** 8 in. lbs. minimum.

### STANDARD PART NUMBER

#### SOLDER LUG - ADJUSTABLE STOPS

SWITCHES - 30° INDEXING - STOPS SET @ 2 POS.

| POLES | ACTIVE POSITIONS | POLES/ DECK | NO. OF DECKS | SHORTING     | NON-SHORTING | FIG. * |
|-------|------------------|-------------|--------------|--------------|--------------|--------|
| 01    | 02-12            | 1           | 1            | C1D0112S - A | C1D0112N - A | CA     |
| 02    | 02-12            | 1           | 2            | C1D0212S - A | C1D0212N - A | CA     |
| 02    | 02-06            | 2           | 1            | C1D0206S - A | C1D0206N - A | CH     |
| 03    | 02-12            | 1           | 3            | C1D0312S - A | C1D0312N - A | CA     |
| 03    | 02-04            | 3           | 1            | C1D0304S - A | C1D0304N - A | CK     |
| 04    | 02-06            | 2           | 2            | C1D0406S - A | C1D0406N - A | CH     |
| 06    | 02-04            | 3           | 2            | C1D0604S - A | C1D0604N - A | CK     |
| 06    | 02-06            | 2           | 3            | C1D0606S - A | C1D0606N - A | CH     |

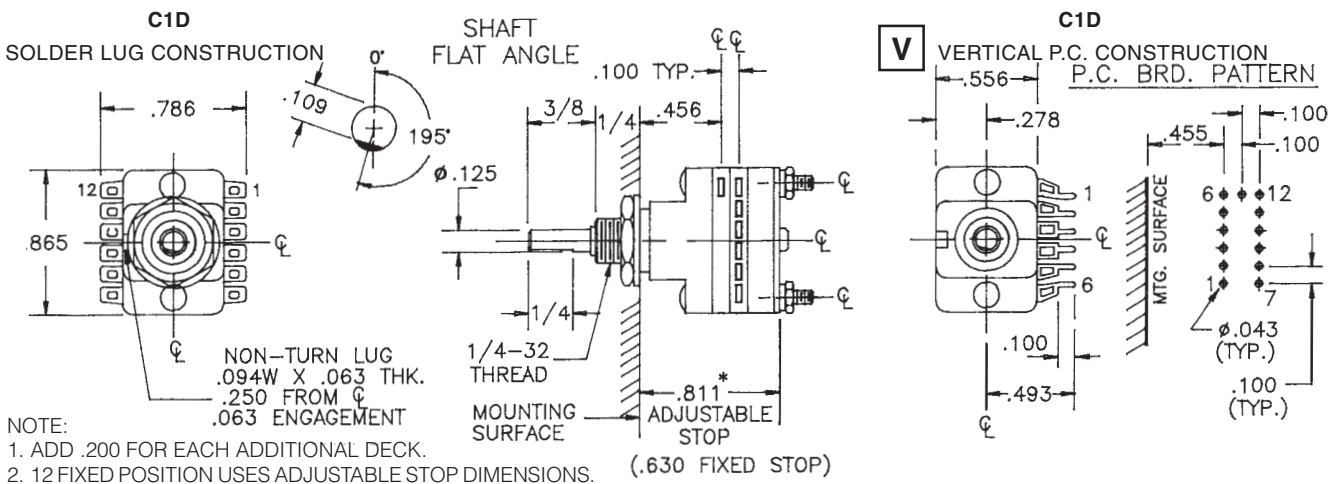
#### VERTICAL P.C. TERMINALS - ADJUSTABLE STOPS

SWITCHES - 30° INDEXING - STOPS SET @ 2 POS.

| POLES | ACTIVE POSITIONS | POLES/ DECK | NO. OF DECKS | SHORTING      | NON-SHORTING  | FIG. * |
|-------|------------------|-------------|--------------|---------------|---------------|--------|
| 01    | 02-06            | 1           | 1            | C1D0106S - VA | C1D0106N - VA | CB     |
| 01    | 02-12            | 1           | 1            | C1D0112S - VA | C1D0112N - VA | CC     |
| 02    | 02-06            | 1           | 2            | C1D0206S - VA | C1D0206N - VA | CB     |
| 02    | 02-12            | 1           | 2            | C1D0212S - VA | C1D0212N - VA | CC     |
| 03    | 02-06            | 1           | 3            | C1D0306S - VA | C1D0306N - VA | CB     |
| 03    | 02-12            | 1           | 3            | C1D0312S - VA | C1D0312N - VA | CC     |
| 04    | 02-06            | 1           | 4            | C1D0406S - VA | C1D0406N - VA | CB     |
| 04    | 02-12            | 1           | 4            | C1D0412S - VA | C1D0412N - VA | CC     |

\* FIGURES ARE SHOWN ON PAGE 55.

### DIMENSIONS



ADDITIONAL OPTIONS AND ORDERING INFORMATION

# C1 - SERIES

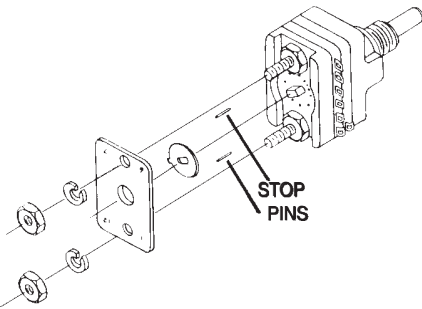
## How to Order Additional Options:

| 2 DIGIT SERIES | INSULATION TYPE | TOTAL POLES | ACTIVE POSITIONS                                   | CONTACT TYPE                     | TERMINAL TYPE   | INDEX ANGLE                                | STOP TYPE                          | SHAFT/ BUSHING | SHAFT FLAT    |
|----------------|-----------------|-------------|--|----------------------------------|---|--|------------------------------------|----------------|---------------|
| C1             | D - DIALLYL     | 01 - MIN.   | 12 - MAX @ 30°<br>06 - MAX @ 60°<br>04 - MAX @ 90° | N - NON-SHORTING<br>S - SHORTING | L - SOLDER LUG<br>V - VERT. P.C.<br><br>R - REAR P.C. | 30°<br>60°<br>90°<br><br>30°<br>60°<br>90° | F - FIXED<br>C - CONT.<br>A - ADJ. | SEE CHART "A"  | SEE CHART "B" |

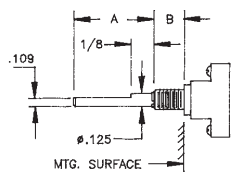
CUSTOMERS SPECIFIED ORDER NUMBER FOR STANDARD OPTIONS

|          |          |          |                      |                      |                      |                                     |                          |                      |                      |                      |                      |
|----------|----------|----------|----------------------|----------------------|----------------------|-------------------------------------|--------------------------|----------------------|----------------------|----------------------|----------------------|
| <b>C</b> | <b>1</b> | <b>D</b> | <input type="text"/> | <input type="text"/> | <input type="text"/> | <input checked="" type="checkbox"/> | <input type="checkbox"/> | <input type="text"/> | <input type="text"/> | <input type="text"/> | <input type="text"/> |
|          |          |          | (SPECIFY)            | (SPECIFY)            | (SPECIFY)            | (SPECIFY)                           | (SPECIFY)                | (SPECIFY)            | (SPECIFY)            | (SPECIFY)            | (SPECIFY)            |

### ADJUSTABLE STOP MECHANISM



### SHAFT, BUSHING, AND FLAT OPTIONS



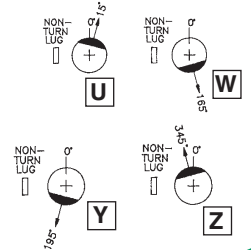
| Chart A 1/8" shaft |            |           |
|--------------------|------------|-----------|
| P/N OPT            | Shaft Lgth | Bush Lgth |
| 01                 | 3/8        | 1/4       |
| 02                 | 3/8        | 3/8       |
| 03                 | 1/2        | 1/4       |
| 04                 | 1/2        | 3/8       |
| 05                 | 9/16       | 1/4       |
| 06                 | 9/16       | 3/8       |
| 07                 | 5/8        | 1/4       |
| 08                 | 5/8        | 3/8       |
| 09                 | 3/4        | 1/4       |
| 10                 | 3/4        | 3/8       |
| 11                 | 7/8        | 1/4       |
| 12                 | 7/8        | 3/8       |
| 13                 | 1          | 1/4       |
| 14                 | 1          | 3/8       |

| Chart A 1/4" shaft |            |           |
|--------------------|------------|-----------|
| P/N OPT            | Shaft Lgth | Bush Lgth |
| 15                 | 3/8        | 1/4       |
| 16                 | 3/8        | 3/8       |
| 17                 | 1/2        | 1/4       |
| 18                 | 1/2        | 3/8       |
| 19                 | 3/4        | 1/4       |
| 20                 | 3/4        | 3/8       |
| 21                 | 1          | 1/4       |
| 22                 | 1          | 3/8       |

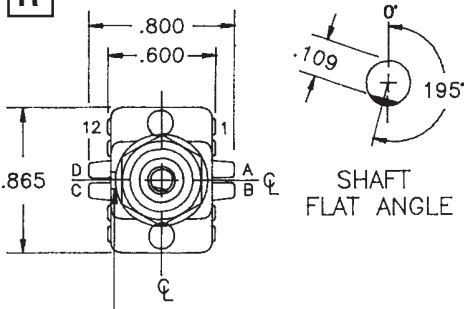
| CHART "B" |            |
|-----------|------------|
| P/N OPT.  | FLAT ANGLE |
| U         | 15°        |
| W         | 165°       |
| Y         | 195°       |
| Z         | 345°       |

SHAFT AS VIEWED WITH NON-TURN LUG AT 9 O'CLOCK AND SHAFT IN EXTREME CCW POSITION AND STRUT BOLTS ORIENTED VERTICALLY.

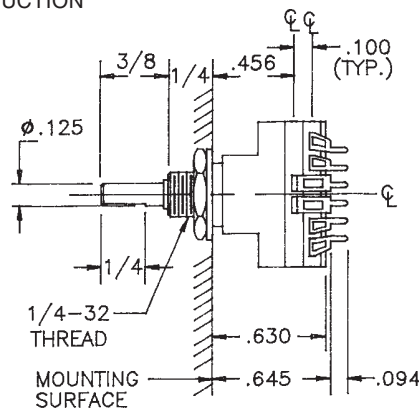


### PRINTED CIRCUIT BOARD TERMINAL OPTIONS

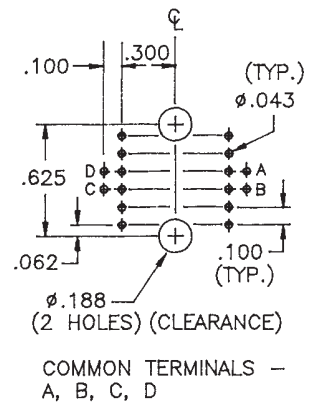
#### R REAR P.C. FIXED STOP CONSTRUCTION



NON-TURN LUG  
.094W X .063 THK.  
.250 FROM  $\phi$   
.063 ENGAGEMENT



#### P.C. BRD. PATTERN



CUSTOM SWITCHES ARE AVAILABLE. CONTACT THE FACTORY WITH YOUR COMPLETE SPECIFICATIONS.