

Excellent Integrated System Limited

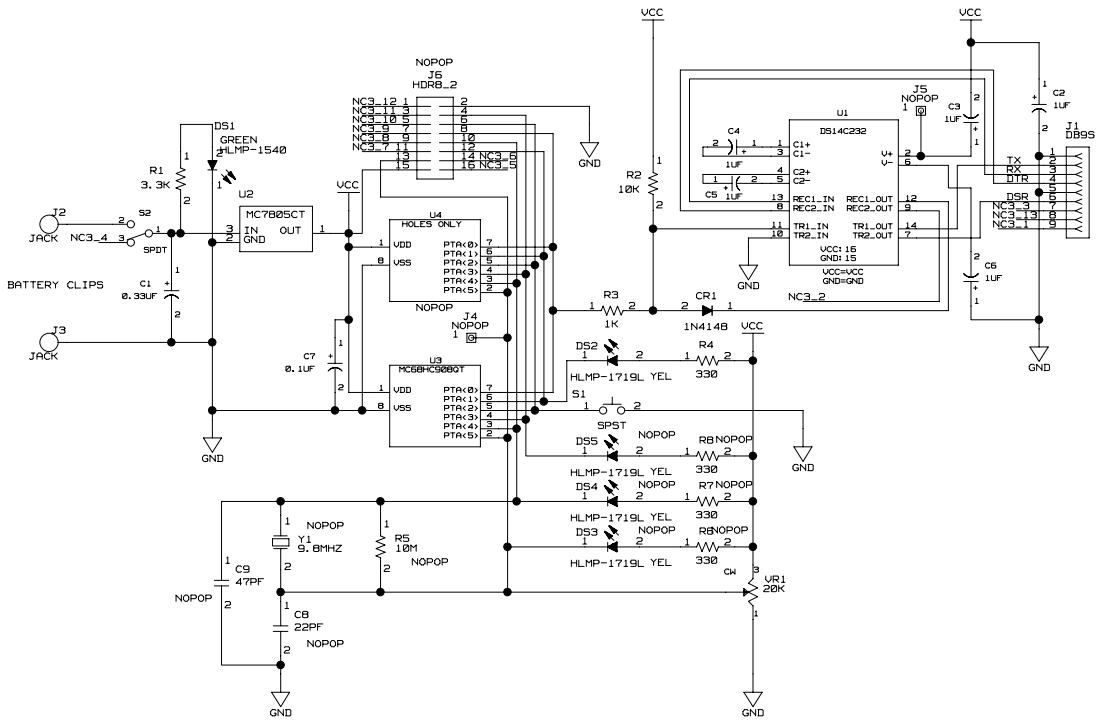
Stocking Distributor

Click to view price, real time Inventory, Delivery & Lifecycle Information:

[NXP Semiconductors](#)
[M68DEMO908QT4](#)

For any questions, you can email us directly:

sales@integrated-circuit.com



BOARD CIRCUIT

NOTE: ALL COMPONENTS ARE THRU-HOLE UNLESS OTHERWISE SPECIFIED.

SIZE	NAME: rev_o	DRAWING. NO.	REV:
A	ROOT: rev_o	63A110285	0
LAST_MODIFIED=Mon Jun 24 15:53:46 2002		SHEET 3 OF 3	

DRAWING NO. 63A110285

REV: 0