

Excellent Integrated System Limited

Stocking Distributor

Click to view price, real time Inventory, Delivery & Lifecycle Information:

[Amphenol RE](#)
[SMP-MSLD-PCS-T](#)

For any questions, you can email us directly:

sales@integrated-circuit.com

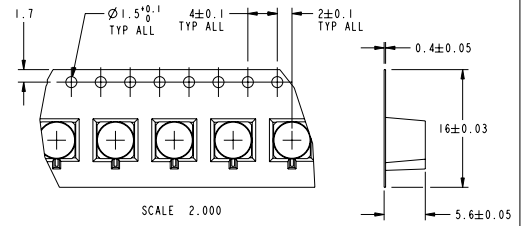
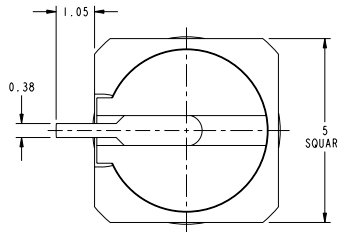
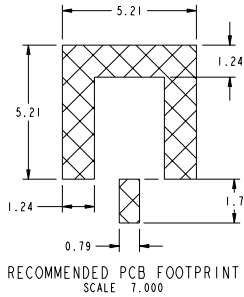
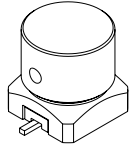
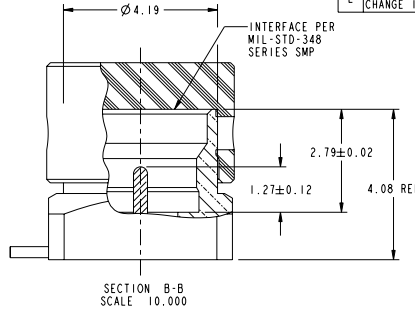
NOTES:

1. MATERIALS AND FINISHES:
 - BODY - BRASS, GOLD PLATING, .00030 (0.8) THICK OVER NICKEL
 - CONTACT - GOLD, GOLD PLATING, .00030 (0.8) THICK OVER NICKEL
 - INSULATOR - LCP
 - CAP - PTFE
2. ELECTRICAL:
 - A. IMPEDANCE: 50 OHM
 - B. FREQUENCY RANGE: DC - 18 GHz
 - C. VSWR (RETURN LOSS): 1.10 (26.4 dB), MAX. DC-6GHz
 1.15 (23.1 dB), MAX. 6-10GHz
 1.30 (17.7 dB), MAX. 10-18GHz
 - D. DIELECTRIC WITHSTANDING VOLTAGE: 335 VRMS, MIN.
3. PHYSICAL:
 - A. DURABILITY: 500 CYCLES MIN.
 - B. ENGAGEMENT FORCE: 1.0 LB MAX
 - C. DISENGAGEMENT FORCE: 2 LB MIN
 - D. INNER CONTACT RETENTION FORCE: 1.5 LB MIN
 - E. TEMPERATURE RANGE: -65° C TO 165° C
4. PACKAGING:
 - A. PACKAGE CONNECTOR IN TAPE AND REEL
 - B. MARKING: "AMPHENOL RF, SMP-MSLD-PCS-T, AND DATE CODE"
 - C. INCLUDE AN ADDITIONAL LABEL ON THE BOX TO IDENTIFY THE PART AS VC.
 THE LABEL SHALL BE MARKED: VC
 THE SIZE OF LABEL SHALL BE 63X38 MM AND TO BE LOCATED EITHER ON TOP OR ON THE SIDES OF THE BOX.

THIRD ANGLE PROJ.

REVISIONS

REV	DESCRIPTION	DATE	ECO	APPR
A	RELEASE TO MFG.	16-Apr-07	46508	CW
B	SEE SHEET 1	05-Sep-09	47481	Agelo
C	ADD NOTE 4	15-Apr-13	49440	MJD
D	1.27±0.12 WAS 1.3±0.12, MB37AAB02 WAS 940-10020, 940-10019; B037ACB01 WAS 940-10036 IRD-DM13091001J8	24-Sep-13	49741	MD
E	REMOVE SPECIAL HARRIS LABEL FROM THE DRAWING AND CHANGE IT TO OUR STANDARD LABELING. IRD-DM15010701R3	21-Jan-15	50188	RM



CUSTOMER OUTLINE DRAWING
ALL OTHER SHEETS ARE FOR INTERNAL USE ONLY

UNLESS OTHERWISE SPECIFIED, DIMENSIONS ARE IN METRIC AND TOLERANCES ARE: $\pm 0.5mm$ $0.5 - 6mm$ $6 - 30mm$ $30 - 120mm$ ANGLES $\pm 0.05mm$ $\pm 0.1mm$ $\pm 0.2mm$ $\pm 0.3mm$ \pm	MATERIAL	DRAWN	DATE	TITLE SMP MALE SMT LIMITED DETENT IN TAPE AND REEL SCALE: 7.0:1.0 SHEET 2 OF 2 DWG SIZE B REV E	Amphenol RF www.amphenolrf.com DRAWING NO. SMP-MSLD-PCS-T ITEM NO. SMP-MSLD-PCS-T PART NO. SMP-MSLD-PCS-T
	SEE NOTES	ENGINEER	DATE		
	REFERENCE	APPROVED	DATE		
	CONFIGURATION LEVEL: □□□□	CAD FILE			
	FINISH				