

Excellent Integrated System Limited

Stocking Distributor

Click to view price, real time Inventory, Delivery & Lifecycle Information:

[Amphenol RE](#)
[SMP-MSLD-PCT-4](#)

For any questions, you can email us directly:

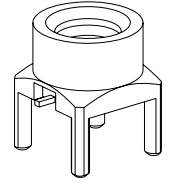
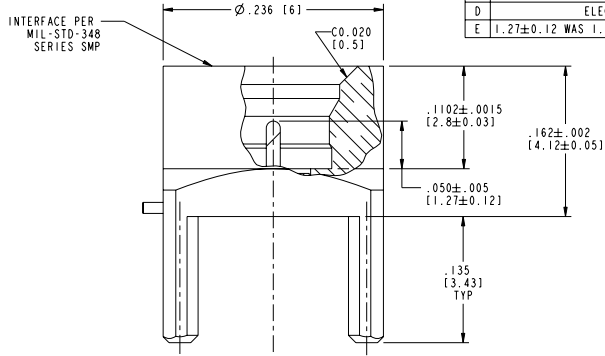
sales@integrated-circuit.com

- NOTES:**
- MATERIALS AND FINISHES:**
 BODY - BRASS, GOLD PLATING
 CONTACT - BRASS, GOLD PLATING
 INSULATOR - LCP
 - ELECTRICAL:**
 A. IMPEDANCE: 50 OHM
 B. RETURN LOSS: 26 dB MIN, DC TO 6 GHz
 20 dB MIN, 6 TO 12.4 GHz
 C. INSERTION LOSS: 0.05±SQRT(f) dB MAX : "f" IN GHz
 D. DIELECTRIC WITHSTANDING VOLTAGE: 500 VRMS, MIN.
 - PHYSICAL:**
 A. DURABILITY: 500 CYCLES MIN.
 B. ENGAGEMENT FORCE: 10 LBS [45 N] MAX
 C. DISENGAGEMENT FORCE: 2 LBS [9 N] MIN
 D. INNER CONTACT RETENTION FORCE: 1.5 LB [7 N] MIN
 E. TEMPERATURE RANGE: -65° C TO +165° C
 - PACKAGING:**
 A. PACKAGE CONNECTOR AS PER ROUTING INSTRUCTIONS.
 B. MARK BAG OR TAG *SMP-MSLD-PCT-4, AND DATE CODE*

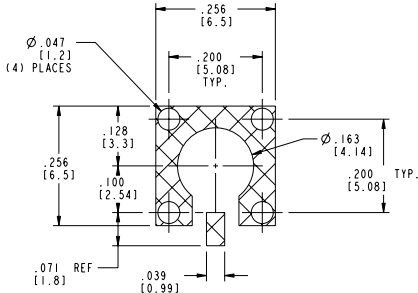
THIRD ANGLE PROJ.

REVISIONS

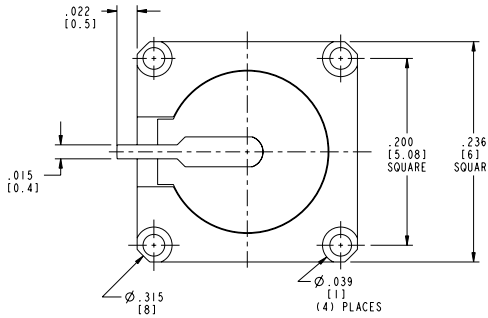
REV	DESCRIPTION	DATE	ECO	APPR
A	RELEASE TO MFG	9/1/06	46191	MY
B	INSULATOR WAS CHANGED	07-May-07	---	ANGELA
C	SYNCH THE DRAWING WITH DANBURY	07-Nov-12	49307	SH
D	ELECTRICAL SPEC UPDATE	15-Jul-13	49648	MJD
E	1.27±0.12 WAS 1.3±0.12, VRD-13091001J8	24-Sep-13	49741	MD



SCALE 5.000



RECOMMENDED PCB FOOTPRINT
 SCALE 5.000



CUSTOMER OUTLINE DRAWING
 ALL OTHER SHEETS ARE FOR INTERNAL USE ONLY

UNLESS OTHERWISE SPECIFIED, DIMENSIONS ARE IN INCHES AND TOLERANCES ARE: 2 PLACE DECIMAL 3 PLACE DECIMAL ANGLES ±.015 (0.381 mm) ±.005 (0.127 mm) ±°	MATERIAL	DRAWN J. CHEN	DATE 24-Sep-13	TITLE SMP JACK, PIN CONTACT LIMITED DETENT	Amphenol RF www.amphenolrf.com	
	REFERENCE EARN2143 REF SMP-MSLD-PCT CONFIGURATION LEVEL:	ENGINEER H. PARIKH	DATE 08-Aug-06	SCALE: 10.0:1.0 SHEET 2 OF 2		DRAWING NO. SMP-MSLD-PCT-4
	FINISH	APPROVED S. HSIEH	DATE 27-Sep-13	DWG SIZE B	REV E	ITEM NO. SMP-MSLD-PCT-4
						PART NO. SMP-MSLD-PCT-4