

Excellent Integrated System Limited

Stocking Distributor

Click to view price, real time Inventory, Delivery & Lifecycle Information:

[Amphenol RE](#)
[SMP-MSSB-PCT-5](#)

For any questions, you can email us directly:

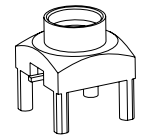
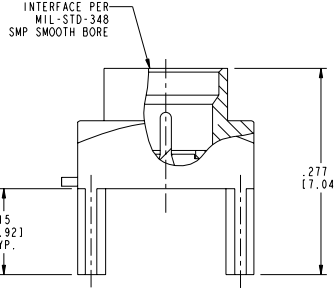
sales@integrated-circuit.com

- NOTES:
- MATERIALS AND FINISHES:
 BODY - BRASS, GOLD PLATING
 CONTACT - BRASS, GOLD PLATING
 INSULATOR - LCP
 - ELECTRICAL:
 A. IMPEDANCE: 50 OHM
 B. FREQUENCY RANGE: DC - 18 GHz
 C. VSWR (RETURN LOSS): 1.10 (26 dB), MAX. DC - 6 GHz
 1.15 (23 dB), MAX. 6 - 10 GHz
 1.32 (17 dB), MAX. 10 - 18 GHz
 D. DIELECTRIC WITHSTANDING VOLTAGE: 500 VRMS, MIN.
 - PHYSICAL:
 A. DURABILITY: 1000 CYCLES MIN.
 B. ENGAGEMENT FORCE: 2 LB [9 N] MAX.
 C. DISENGAGEMENT FORCE: 0.5 LB [2.2 N] MIN.
 D. INNER CONTACT RETENTION FORCE: 1.5 LB [7 N] MIN.
 E. TEMPERATURE RANGE: -65° C TO +165° C
 - PACKAGING:
 A. QUANTITY: SINGLE PACK
 B. MARK BAG OR TAG:
 AMPHENOL
 SMP-MSSB-PCT-5
 DATE CODE
 OTY

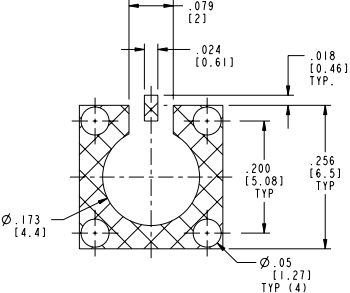
THIRD ANGLE PROJ.

REVISIONS

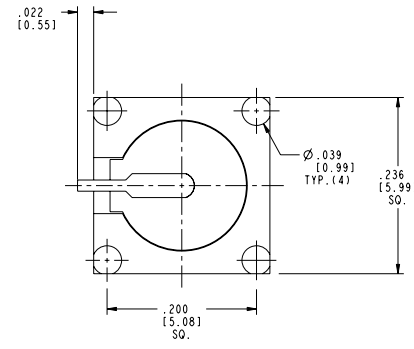
REV	DESCRIPTION	DATE	ECO	APPR
A	RELEASE TO MFG	9/1/06	46251	MY
B	INSULATOR WAS CHANGED	07-May-07	---	ANGELA
C	SYNCH THE DRAWING WITH DANBURY	07-Nov-12	49307	SH
D	SEE SHEET 11RD-DM13091001J8	24-Sep-13	49741	MD



SCALE 4.000



RECOMMENDED PCB PAD LAYOUT



CUSTOMER OUTLINE DRAWING
 ALL OTHER SHEETS ARE FOR INTERNAL USE ONLY

UNLESS OTHERWISE SPECIFIED, DIMENSIONS ARE IN INCHES AND TOLERANCES ARE: 2 PLACE DECIMAL 3 PLACE DECIMAL ANGLES ±.015 (0.381 mm) ±.005 (0.127 mm) ±°	MATERIAL	DRAWN J. CHEN	DATE 24-Sep-13	TITLE SMP JACK, PIN CONTACT PCB RECEPTACLE SMOOTH BORE	Amphenol RF www.amphenolrf.com
	REFERENCE EAR # 2143	ENGINEER H. PARIKH	DATE 10-Aug-06		
	CONFIGURATION LEVEL:	APPROVED S. HSIEH	DATE 27-Sep-13	SCALE: 8.0:1.0 SHEET 2 OF 2	DRAWING NO. SMP-MSSB-PCT-5
	FINISH	CAD FILE		DWG SIZE B REV D	ITEM NO. SMP-MSSB-PCT-5 PART NO. SMP-MSSB-PCT-5