

Excellent Integrated System Limited

Stocking Distributor

Click to view price, real time Inventory, Delivery & Lifecycle Information:

[STMicroelectronics](#)

[STL220N3LLH7](#)

For any questions, you can email us directly:

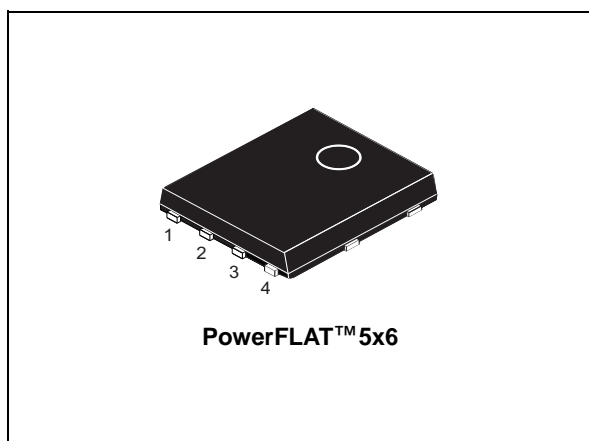
sales@integrated-circuit.com



STL220N3LLH7

N-channel 30 V, 0.00081 Ω typ., 50 A STripFET™ VII DeepGATE™
 Power MOSFET in a PowerFLAT™ 5x6 package

Datasheet - production data



Features

Order code	V _{DS}	R _{DS(on)} max	I _D
STL220N3LLH7	30 V	0.0011 Ω	50 A

- Very low on-resistance
- Very low Q_g
- High avalanche ruggedness

Applications

- Switching applications

Description

This device exhibits low on-state resistance and capacitance for improved conduction and switching performance.

Figure 1. Internal schematic diagram

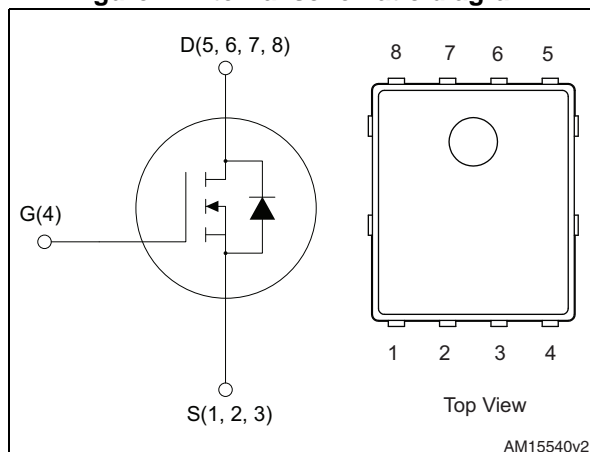


Table 1. Device summary

Order code	Marking	Package	Packaging
STL220N3LLH7	220N3LL7	PowerFLAT™ 5x6	Tape and reel

Contents

1	Electrical ratings	3
2	Electrical characteristics	4
2.1	Electrical characteristics (curves)	6
3	Test circuits	8
4	Package mechanical data	9
5	Packaging mechanical data	12
6	Revision history	14

1 Electrical ratings

Table 2. Absolute maximum ratings

Symbol	Parameter	Value	Unit
V_{DS}	Drain-source voltage	30	V
V_{GS}	Gate-source voltage	± 20	V
$I_D^{(1)}$	Drain current (continuous) at $T_C = 25\text{ }^\circ\text{C}$	220	A
$I_D^{(1)}$	Drain current (continuous) at $T_C = 100\text{ }^\circ\text{C}$	160	A
$I_{DM}^{(1)(2)}$	Drain current (pulsed)	880	A
$I_D^{(3)}$	Drain current (continuous) at $T_{pcb} = 25\text{ }^\circ\text{C}$	50	A
$I_D^{(3)}$	Drain current (continuous) at $T_{pcb} = 100\text{ }^\circ\text{C}$	32	A
$I_{DM}^{(2)(3)}$	Drain current (pulsed)	200	A
$P_{TOT}^{(1)}$	Total dissipation at $T_C = 25\text{ }^\circ\text{C}$	113	W
$P_{TOT}^{(3)}$	Total dissipation at $T_{pcb} = 25\text{ }^\circ\text{C}$	4	W
T_j	Max. operating junction temperature	-55 to 150	$^\circ\text{C}$

1. This value is rated according to R_{thj-c}
2. Pulse width limited by safe operating area.
3. This value is rated according to $R_{thj-pcb}$

Table 3. Thermal data

Symbol	Parameter	Value	Unit
$R_{thj-pcb}^{(1)}$	Thermal resistance junction-pcb max	31.3	$^\circ\text{C/W}$
$R_{thj-case}$	Thermal resistance junction-case max	1.1	$^\circ\text{C/W}$

1. When mounted on FR-4 board of 1 inch², 2oz Cu, $t < 10$ sec

Electrical characteristics

STL220N3LLH7

2 Electrical characteristics

(T_C = 25 °C unless otherwise specified)

Table 4. On /off states

Symbol	Parameter	Test conditions	Min.	Typ.	Max.	Unit
V _{(BR)DSS}	Drain-source breakdown voltage	I _D = 250 μA, V _{GS} = 0	30			V
I _{DSS}	Zero gate voltage drain current	V _{GS} = 0 V V _{DS} = 24 V			1	μA
I _{GSS}	Gate-body leakage current	V _{GS} = ±20 V, V _{DS} = 0			±100	nA
V _{GS(th)}	Gate threshold voltage	V _{DS} = V _{GS} , I _D = 250 μA	1.2		2.2	V
R _{DS(on)}	Static drain-source on-resistance	V _{GS} = 10 V, I _D = 25 A		0.00081	0.0011	Ω
		V _{GS} = 4.5 V, I _D = 25 A		0.00115	0.0015	Ω

Table 5. Dynamic

Symbol	Parameter	Test conditions	Min.	Typ.	Max.	Unit
C _{iss}	Input capacitance	V _{DS} = 25 V, f = 1 MHz, V _{GS} = 0	-	8650	-	pF
C _{oss}	Output capacitance		-	2400	-	pF
C _{rss}	Reverse transfer capacitance		-	72	-	pF
Q _g	Total gate charge	V _{DD} = 15 V, I _D = 50 A, V _{GS} = 4.5 V (see Figure 14)	-	46	-	nC
Q _{gs}	Gate-source charge		-	26	-	nC
Q _{gd}	Gate-drain charge		-	10	-	nC
R _g	Intrinsic gate resistance	f=1 MHz	-	0.61	1.8	Ω

Table 6. Switching times

Symbol	Parameter	Test conditions	Min.	Typ.	Max.	Unit
t _{d(on)}	Turn-on delay time	V _{DD} = 15 V, I _D = 25 A, R _G = 4.7 Ω, V _{GS} = 4.5 V	-	55	-	ns
t _r	Rise time		-	115	-	ns
t _{d(off)}	Turn-off delay time		-	70	-	ns
t _f	Fall time		-	51	-	ns

STL220N3LLH7

Electrical characteristics

Table 7. Source drain diode

Symbol	Parameter	Test conditions	Min.	Typ.	Max.	Unit
I_{SD}	Source-drain current		-		50	A
$I_{SDM}^{(1)}$	Source-drain current (pulsed)		-		200	A
$V_{SD}^{(2)}$	Forward on voltage	$I_{SD} = 50\text{ A}, V_{GS} = 0$	-		1	V
t_{rr}	Reverse recovery time	$I_D = 50\text{ A}, di/dt = 100\text{ A}/\mu\text{s}$ $V_{DD} = 24\text{ V}$	-	66		ns
Q_{rr}	Reverse recovery charge		-	101		nC
I_{RRM}	Reverse recovery current		-	3.1		A

1. Pulse width limited by safe operating area.
2. Pulsed: pulse duration = 300 μs , duty cycle 1.5%

Electrical characteristics

STL220N3LLH7

2.1 Electrical characteristics (curves)

Figure 2. Safe operating area

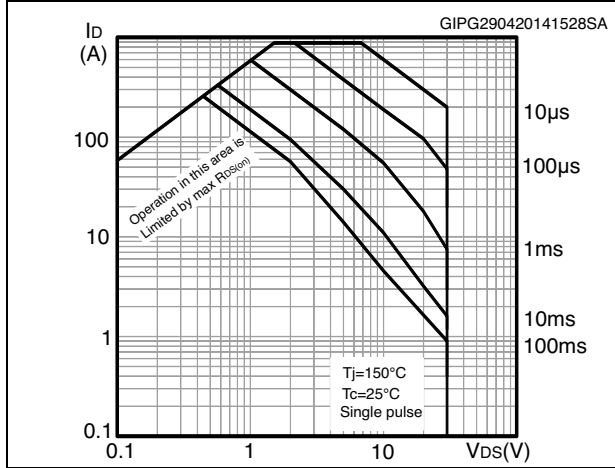


Figure 3. Thermal impedance

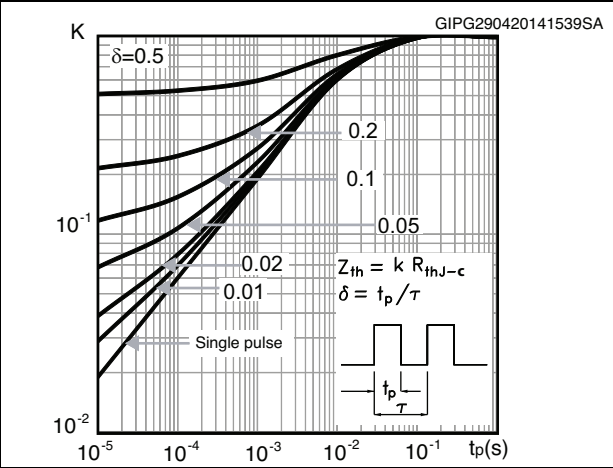


Figure 4. Output characteristics

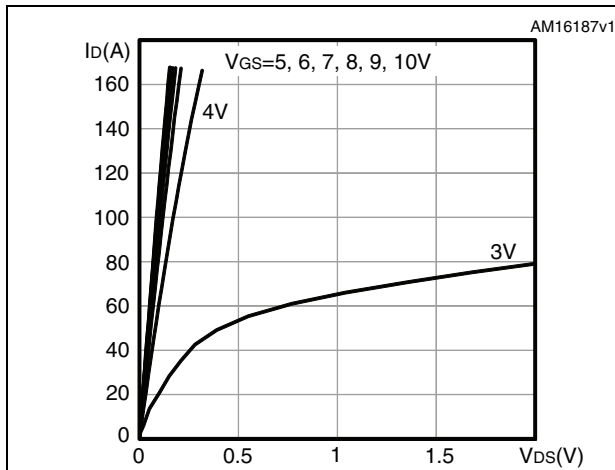


Figure 5. Transfer characteristics

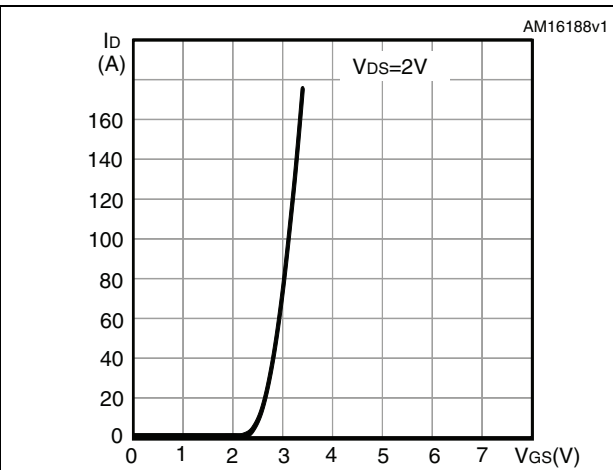


Figure 6. Gate charge vs gate-source voltage

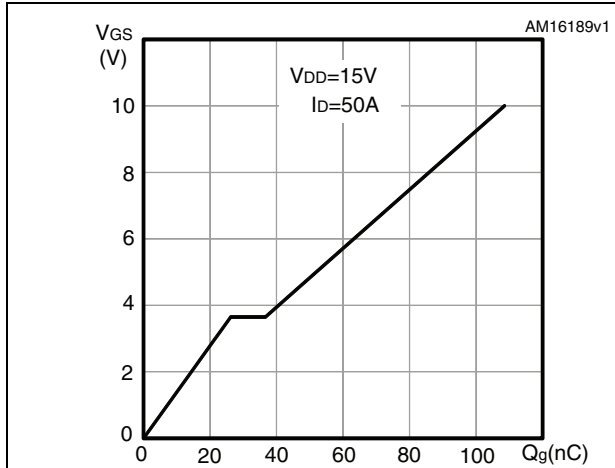
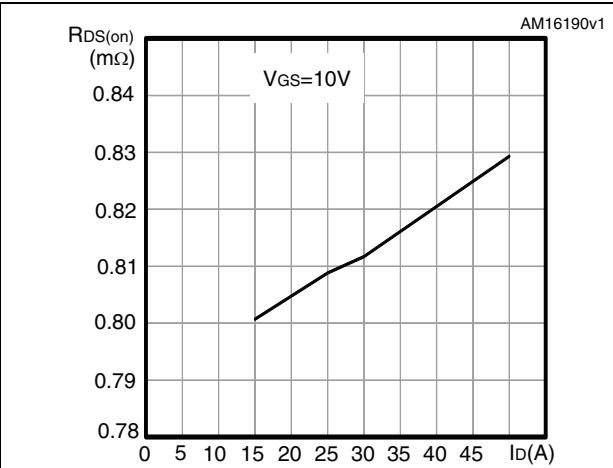


Figure 7. Static drain-source on-resistance



STL220N3LLH7

Electrical characteristics

Figure 8. Capacitance variations

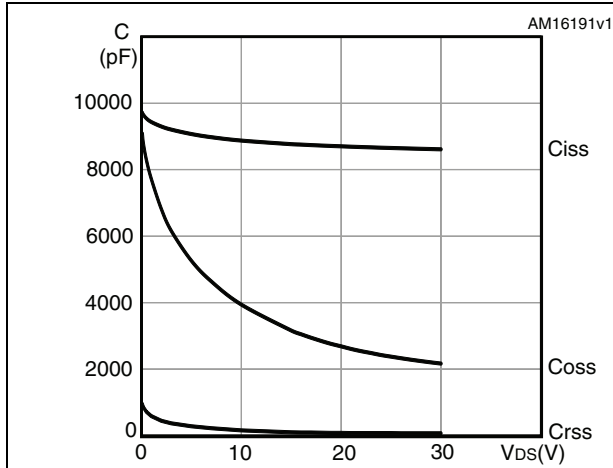


Figure 9. Normalized gate threshold voltage vs temperature

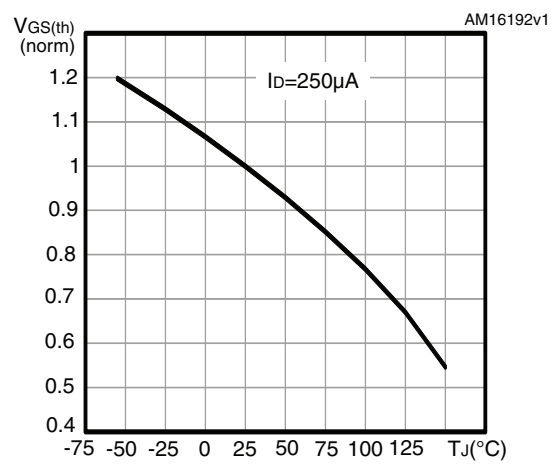


Figure 10. Normalized on-resistance vs temperature

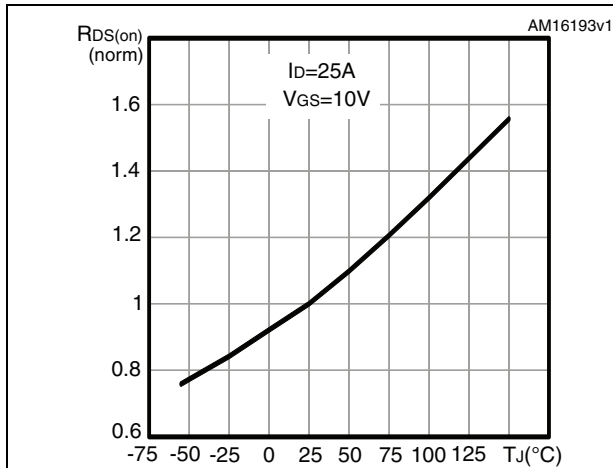


Figure 11. Normalized V(BR)DSS vs temperature

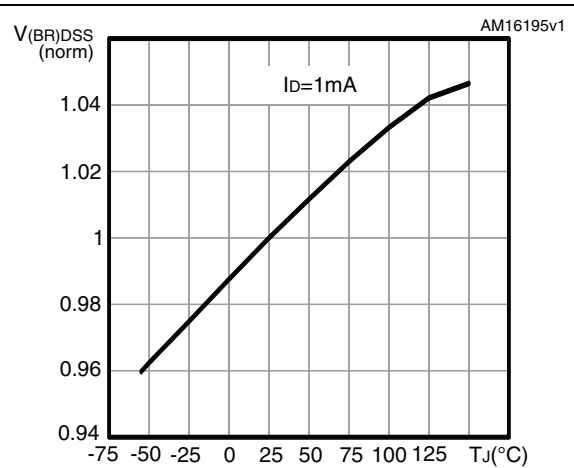
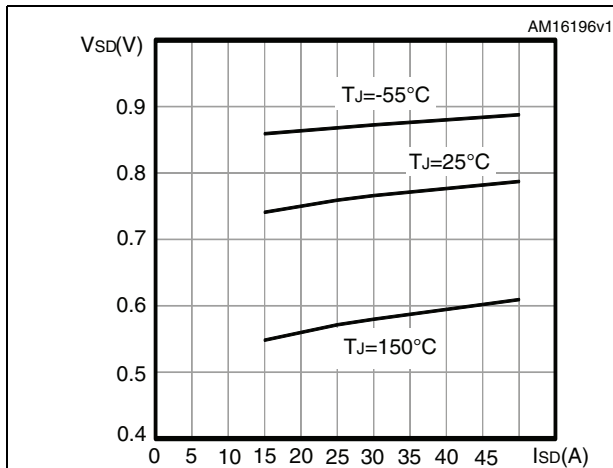


Figure 12. Source-drain diode forward characteristics



Test circuits

STL220N3LLH7

3 Test circuits

Figure 13. Switching times test circuit for resistive load

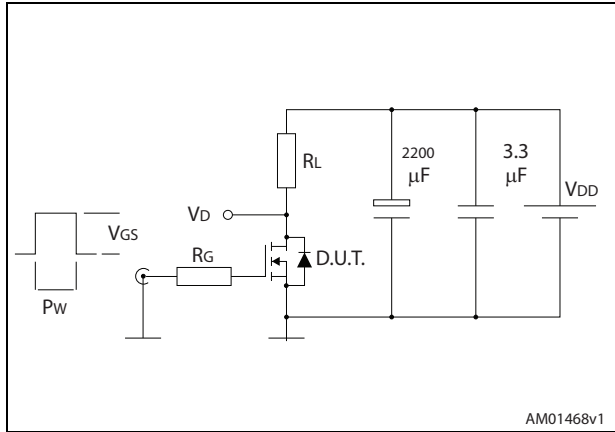


Figure 14. Gate charge test circuit

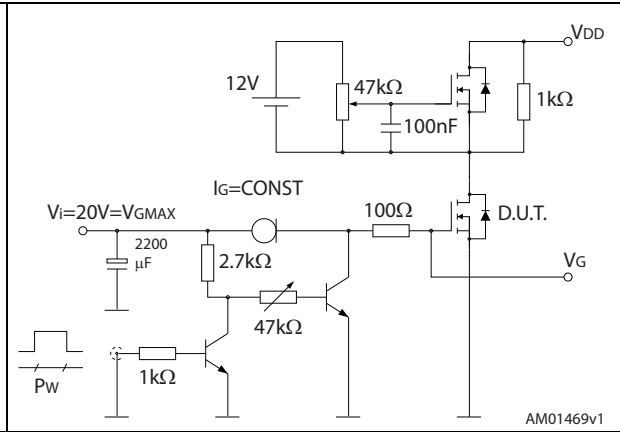


Figure 15. Test circuit for inductive load switching and diode recovery times

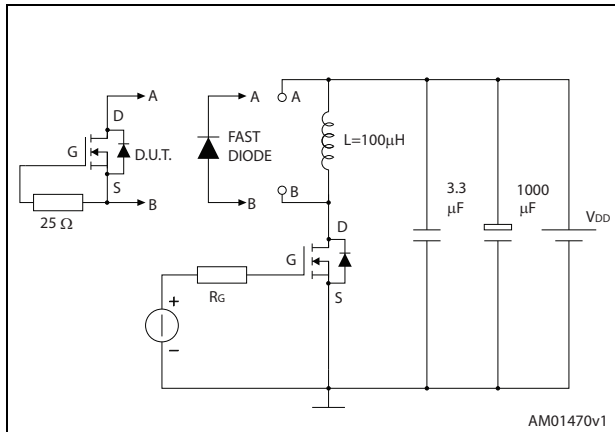


Figure 16. Unclamped inductive load test circuit

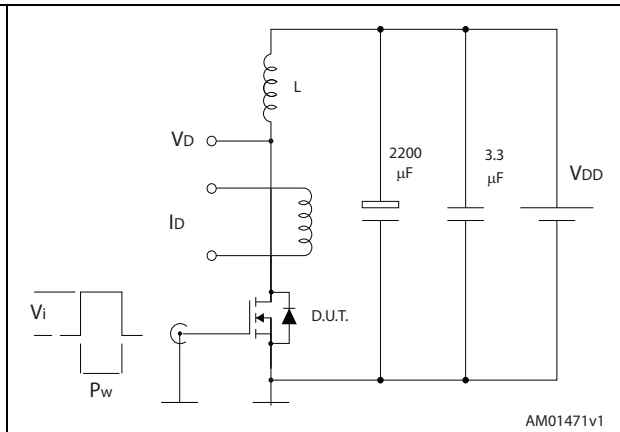


Figure 17. Unclamped inductive waveform

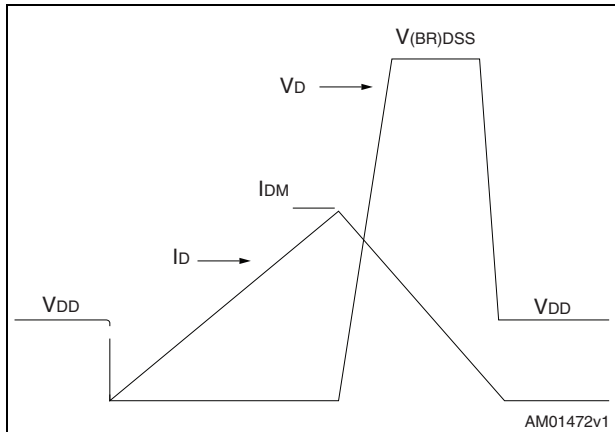
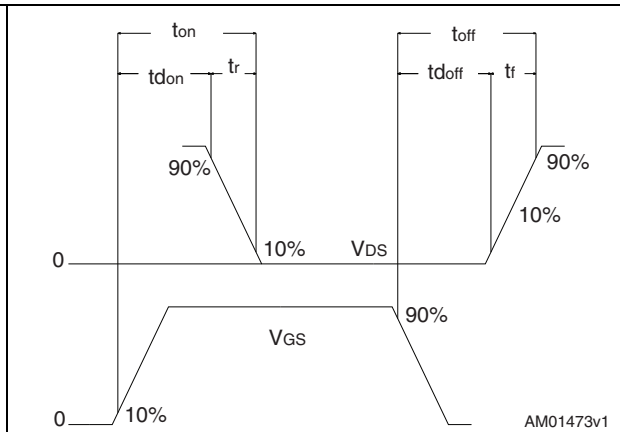


Figure 18. Switching time waveform



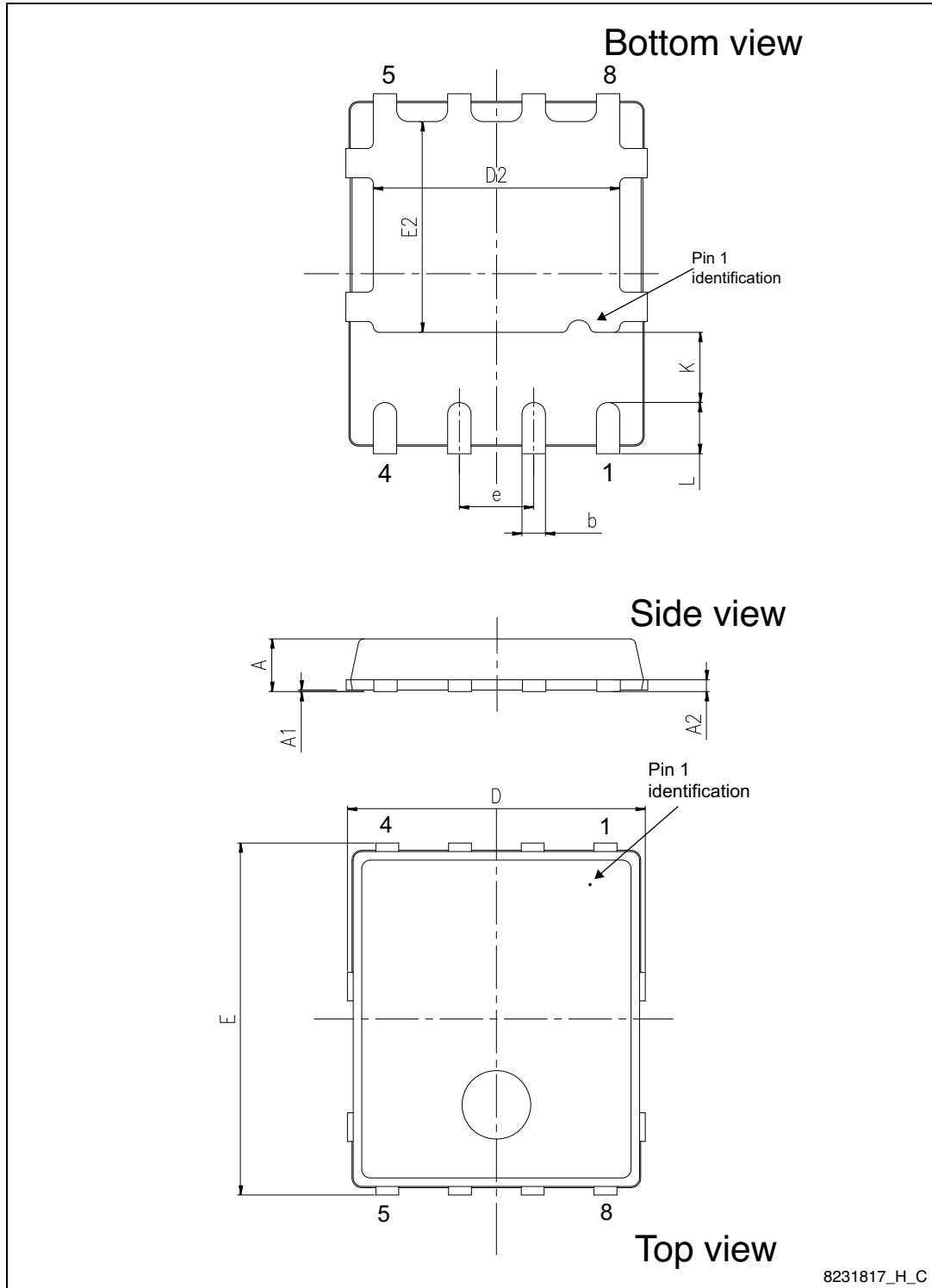
4 Package mechanical data

In order to meet environmental requirements, ST offers these devices in different grades of ECOPACK[®] packages, depending on their level of environmental compliance. ECOPACK[®] specifications, grade definitions and product status are available at: www.st.com. ECOPACK[®] is an ST trademark.

Package mechanical data

STL220N3LLH7

Figure 19. PowerFLAT™ 5x6 type S-C mechanical data



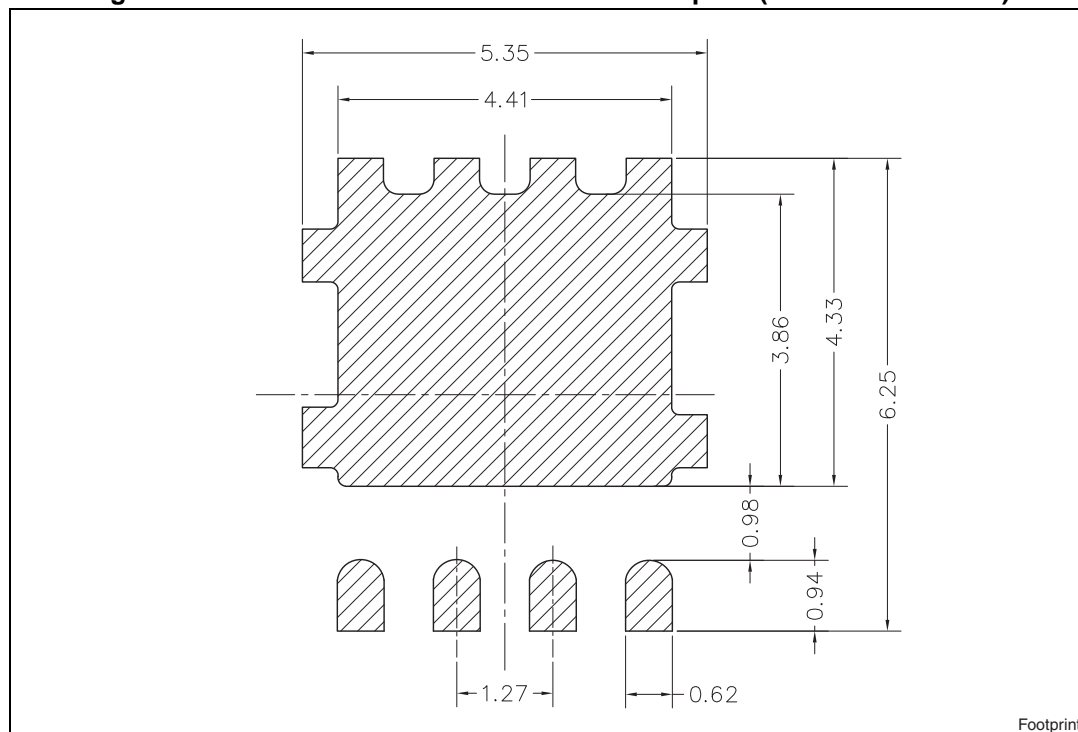
STL220N3LLH7

Package mechanical data

Table 8. PowerFLAT™ 5x6 type S-C mechanical data

Dim.	mm		
	Min.	Typ.	Max.
A	0.80		1.00
A1	0.02		0.05
A2		0.25	
b	0.30		0.50
D		5.20	
E		6.15	
D2	4.11		4.31
E2	3.50		3.70
e		1.27	
e1		0.65	
L	0.715		1.015
K	1.05		1.35

Figure 20. PowerFLAT™ 5x6 recommended footprint (dimensions in mm)



Packaging mechanical data

STL220N3LLH7

5 Packaging mechanical data

Figure 21. PowerFLAT™ 5x6 tape^(a)

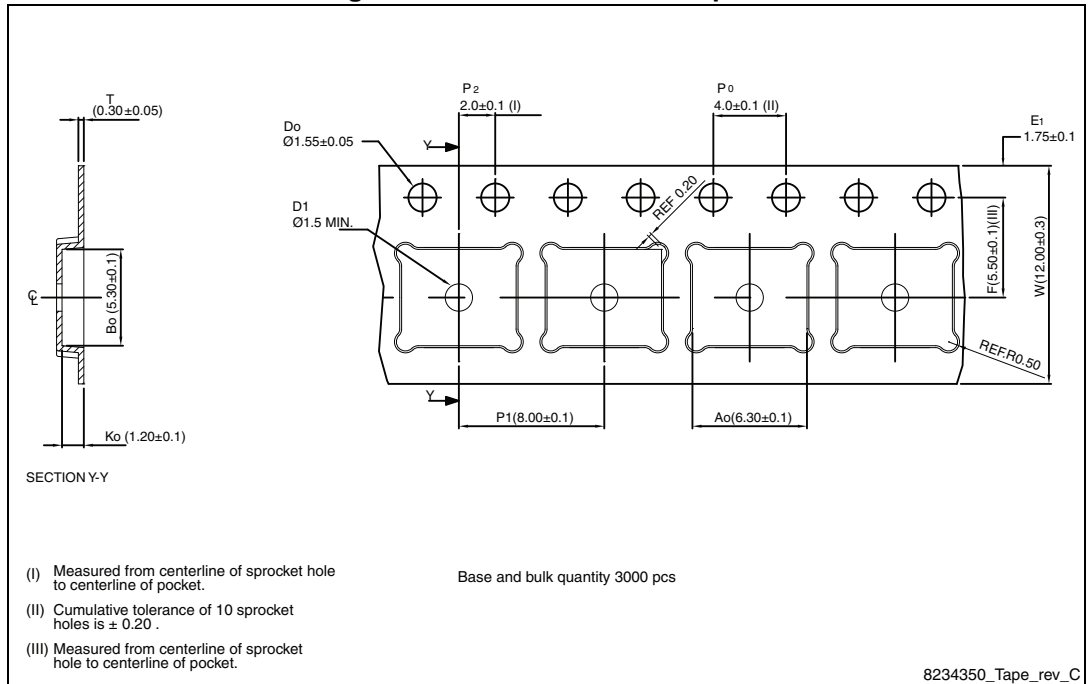
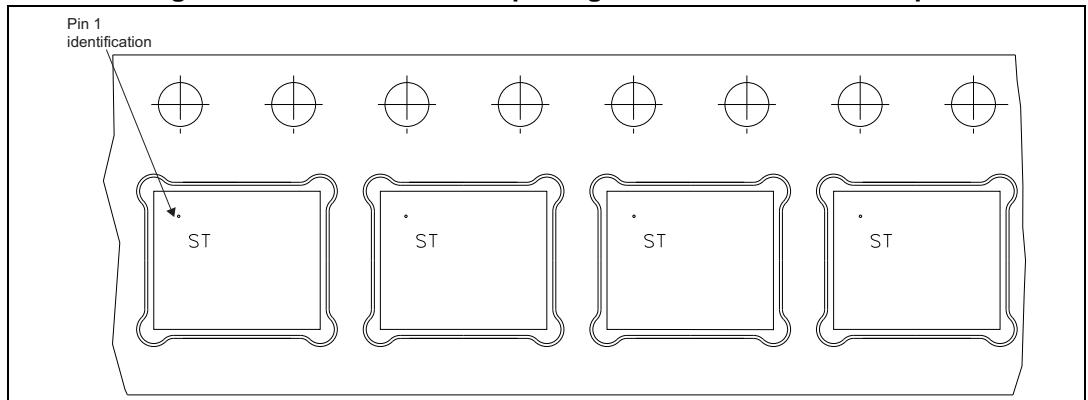


Figure 22. PowerFLAT™ 5x6 package orientation in carrier tape

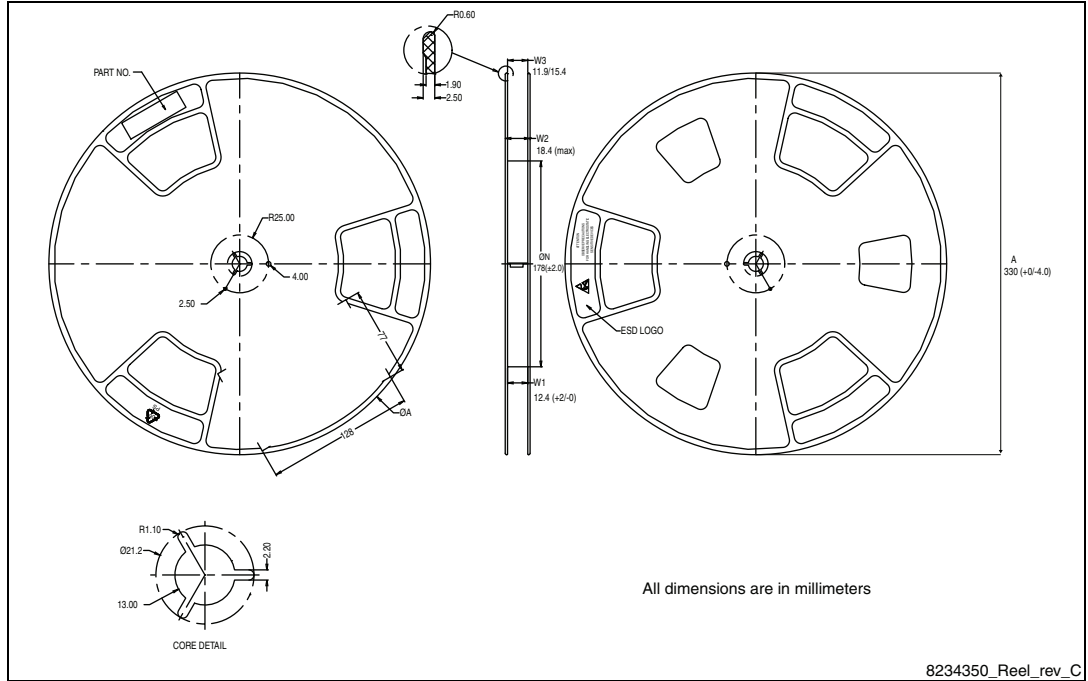


a. All dimensions are in millimeters.

STL220N3LLH7

Packaging mechanical data

Figure 23. PowerFLAT™ 5x6 reel



6 Revision history

Table 9. Document revision history

Date	Revision	Changes
04-Jun-2013	1	First release.
11-Jun-2013	2	<ul style="list-style-type: none"> – Changed: Description – Minor text changes
08-Nov-2013	3	<ul style="list-style-type: none"> – Modified: title, I_D (Drain current (continuous) at $T_{pcb} = 100\text{ °C}$), P_{TOT} (Total dissipation at T_C and $T_{pcb} = 25\text{ °C}$) and T_J values in Table 2, $R_{thj-case}$ value in Table 3, $V_{(BR)DSS}$ and $V_{GS(th)}$ test conditions, $R_{DS(on)}$ typical values, the entire typical values in Table 5, 6, R_G value in Table 6, V_{dd} and typical values in Table 7 – Updated: Section 4: Package mechanical data and Section 5: Packaging mechanical data
08-May-2014	4	<ul style="list-style-type: none"> – Inserted: R_g parameter in Table 5 – Minor text changes

STL220N3LLH7

Please Read Carefully:

Information in this document is provided solely in connection with ST products. STMicroelectronics NV and its subsidiaries ("ST") reserve the right to make changes, corrections, modifications or improvements, to this document, and the products and services described herein at any time, without notice.

All ST products are sold pursuant to ST's terms and conditions of sale.

Purchasers are solely responsible for the choice, selection and use of the ST products and services described herein, and ST assumes no liability whatsoever relating to the choice, selection or use of the ST products and services described herein.

No license, express or implied, by estoppel or otherwise, to any intellectual property rights is granted under this document. If any part of this document refers to any third party products or services it shall not be deemed a license grant by ST for the use of such third party products or services, or any intellectual property contained therein or considered as a warranty covering the use in any manner whatsoever of such third party products or services or any intellectual property contained therein.

UNLESS OTHERWISE SET FORTH IN ST'S TERMS AND CONDITIONS OF SALE ST DISCLAIMS ANY EXPRESS OR IMPLIED WARRANTY WITH RESPECT TO THE USE AND/OR SALE OF ST PRODUCTS INCLUDING WITHOUT LIMITATION IMPLIED WARRANTIES OF MERCHANTABILITY, FITNESS FOR A PARTICULAR PURPOSE (AND THEIR EQUIVALENTS UNDER THE LAWS OF ANY JURISDICTION), OR INFRINGEMENT OF ANY PATENT, COPYRIGHT OR OTHER INTELLECTUAL PROPERTY RIGHT.

ST PRODUCTS ARE NOT DESIGNED OR AUTHORIZED FOR USE IN: (A) SAFETY CRITICAL APPLICATIONS SUCH AS LIFE SUPPORTING, ACTIVE IMPLANTED DEVICES OR SYSTEMS WITH PRODUCT FUNCTIONAL SAFETY REQUIREMENTS; (B) AERONAUTIC APPLICATIONS; (C) AUTOMOTIVE APPLICATIONS OR ENVIRONMENTS, AND/OR (D) AEROSPACE APPLICATIONS OR ENVIRONMENTS. WHERE ST PRODUCTS ARE NOT DESIGNED FOR SUCH USE, THE PURCHASER SHALL USE PRODUCTS AT PURCHASER'S SOLE RISK, EVEN IF ST HAS BEEN INFORMED IN WRITING OF SUCH USAGE, UNLESS A PRODUCT IS EXPRESSLY DESIGNATED BY ST AS BEING INTENDED FOR "AUTOMOTIVE, AUTOMOTIVE SAFETY OR MEDICAL" INDUSTRY DOMAINS ACCORDING TO ST PRODUCT DESIGN SPECIFICATIONS. PRODUCTS FORMALLY ESCC, QML OR JAN QUALIFIED ARE DEEMED SUITABLE FOR USE IN AEROSPACE BY THE CORRESPONDING GOVERNMENTAL AGENCY.

Resale of ST products with provisions different from the statements and/or technical features set forth in this document shall immediately void any warranty granted by ST for the ST product or service described herein and shall not create or extend in any manner whatsoever, any liability of ST.

ST and the ST logo are trademarks or registered trademarks of ST in various countries.

Information in this document supersedes and replaces all information previously supplied.

The ST logo is a registered trademark of STMicroelectronics. All other names are the property of their respective owners.

© 2014 STMicroelectronics - All rights reserved

STMicroelectronics group of companies

Australia - Belgium - Brazil - Canada - China - Czech Republic - Finland - France - Germany - Hong Kong - India - Israel - Italy - Japan - Malaysia - Malta - Morocco - Philippines - Singapore - Spain - Sweden - Switzerland - United Kingdom - United States of America

www.st.com