

Excellent Integrated System Limited

Stocking Distributor

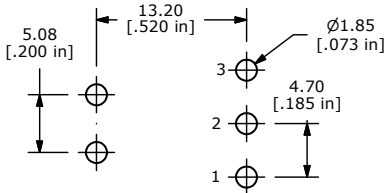
Click to view price, real time Inventory, Delivery & Lifecycle Information:

[E-Switch](#)
[700SP7B20M6QE](#)

For any questions, you can email us directly:

sales@integrated-circuit.com

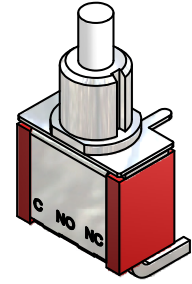
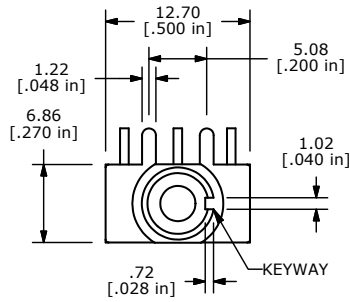
SHEET 1 OF 1



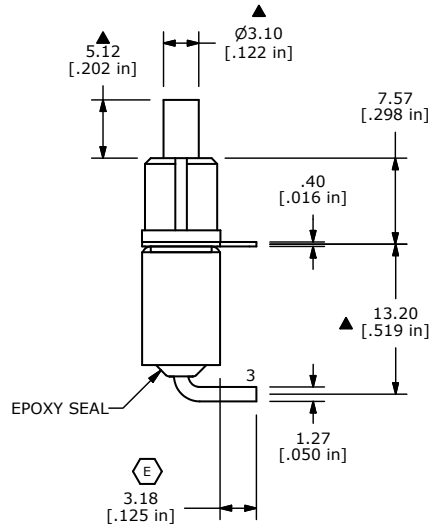
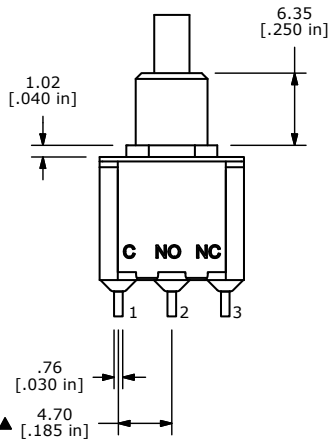
PCB MOUNTING

SWITCH FUNCTION	
POS. 1	POS. 2
ON	(ON)
1-3	1-2
(ON)=MOMENTARY	

CIRCUIT: SPDT



ISOMETRIC



- NOTE:
- ALL DIMENSIONS IN MM [INCH]
 - GENERAL TOLERANCE: X.X=±0.4 X.XX=±0.25
 - TERMINAL NUMBERS FOR REF ONLY
 - CONTACT MATERIAL: SILVER
 - RATING: 3A @ 120 VAC OR 28 VDC 1A @ 250 VAC
 - ELECTRIC LIFE: 50,000 MAKE-AND-BREAK CYCLES AT FULL LOAD
 - INSULATION RESISTANCE: 1,000 MEGA-OHM MIN.
 - ACTUATION FORCE: 300 ± 100gf
 - TRAVEL: 1.0 ± 0.2mm
 - CONTACT RESISTANCE: 20 mOHM MAX. TYPICAL @ 2-4 VDC
 - DIELECTRIC STRENGTH: 1,000 V RMS @ SEA LEVEL.
 - OPERATING TEMP.: -30°C to 85°C
 - ▲ DENOTES CRITICAL PARAMETER.
 - 2002/95/EC (ROHS) COMPLIANT.

F	20004	DRAWING CLEAN-UP / UPDATE	6/14/11	BGL					
E	18688	3.18 DIM WAS 3.80	10/14/09	BLR					
D	17436	REVISED AND REDRAWN	7/5/07	TN	TITLE 700SP7B20M6QE				
REV	PCR NO	DESCRIPTION	DATE	BY	SCALE 2:1	DATE 10/14/2009	DR BLR	DWG T711010	REV F

THE INFORMATION CONTAINED IN THIS DOCUMENT IS PROPRIETARY TO E-SWITCH AND IS NOT TO BE COPIED OR TRANSFERRED