

## Excellent Integrated System Limited

Stocking Distributor

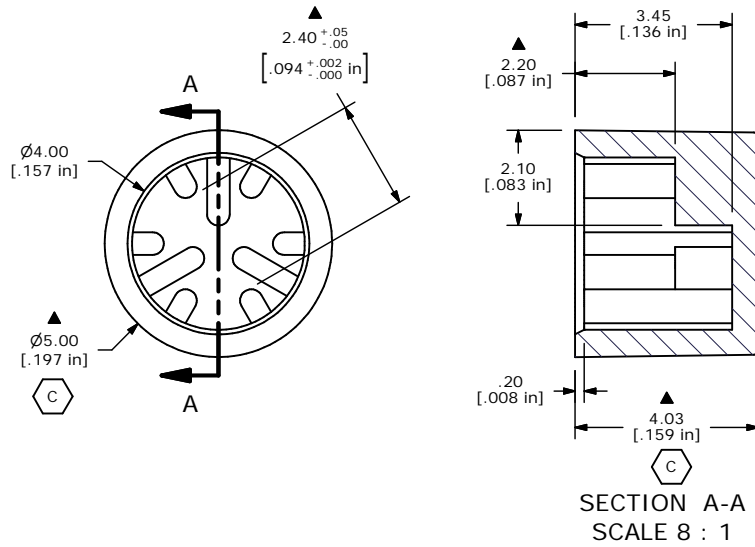
Click to view price, real time Inventory, Delivery & Lifecycle Information:

[E-Switch](#)  
[800C1WHT](#)

For any questions, you can email us directly:

[sales@integrated-circuit.com](mailto:sales@integrated-circuit.com)

SHEET 1 OF 1



NOTES

1. ALL DIMENSIONS IN MM[INCH]
2. GENERAL TOLERANCE: X.X=±0.4  
X.XX=±0.25
- ▲ 3. COLOR: WHITE
4. ▲ DENOTES CRITICAL PARAMETER.

**E-SWITCH®**

C	14598	REMOVE TOLERANCE	1/4/05	AR
B	14558	REVISED AND REDRAWN	12/3/04	AR
REV	PCR NO	DESCRIPTION	DATE	BY

TITLE 800C1WHT CAP				
SCALE 4:1	DATE 12/3/04	DR AR	DWG T800101	REV C

THE INFORMATION CONTAINED IN THIS DOCUMENT IS PROPRIETARY TO E-SWITCH AND IS NOT TO BE COPIED OR TRANSFERRED