

## Excellent Integrated System Limited

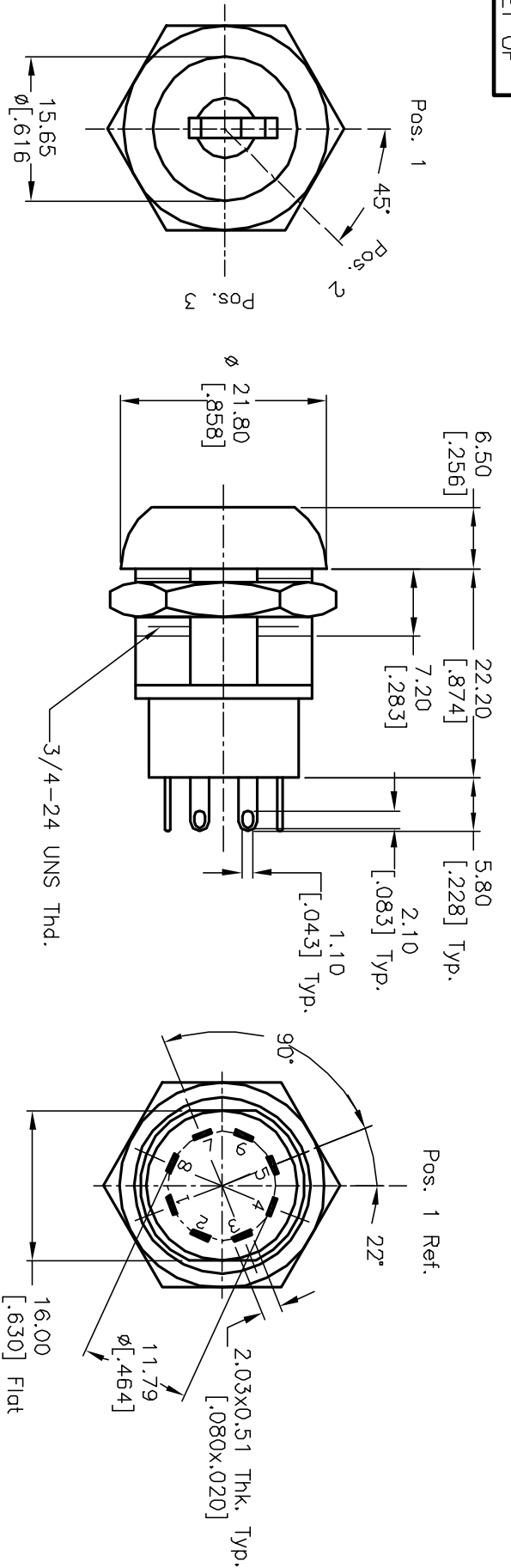
Stocking Distributor

Click to view price, real time Inventory, Delivery & Lifecycle Information:

[E-Switch](#)  
[KO130BA126](#)

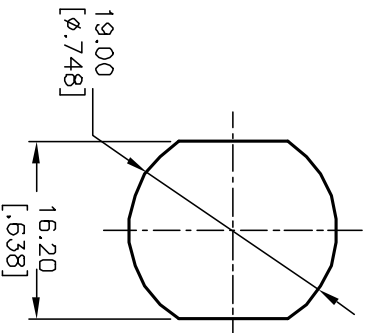
For any questions, you can email us directly:  
[sales@integrated-circuit.com](mailto:sales@integrated-circuit.com)

SHEET OF

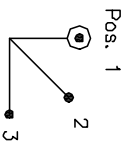


NOTES:

1. ALL DIMENSIONS IN MM [INCH]
2. GENERAL TOLERANCE: 0.0 $\pm$ 0.4  
0.00 $\pm$ 0.25
3. TERM. NOS. FOR REF. ONLY
4. CONTACT RATING: 4A @125VAC/28VDC, 2A @250VAC
5. CONTACT RESISTANCE: Below 10 milliohms
6. DIELECTRIC STRENGTH: 1KV RMS min. at sea level
7. ELECTRICAL LIFE: 10,000 make-and-break cycles at full load.
8. LOCK: bright nickel plated zinc alloy with nickel facing (black and polished chrome facing available)
9. Tumbler mechanism: 4-disc tumbler
10. KEYS: brass with code no. (2 Keys)
11. CONTACTS: silver plated Cu (Q contact material)
12. TERMINALS: silver plated Cu (Q contact material)
13. CONTACT SPRING: piano wire
14. MOUNTING NUT: nickel plated zinc alloy



RECOMMEND PANEL LAYOUT



CIRCUIT: DP (45° INDEXING)  
CONTACT CONFIGURATION

SWITCH FUNCTION		
CONNECTED TERMINAL #	POS. 1	POS. 2
POS. 3	8-1, 4-5	1-2, 5-6
		2-3, 6-7

REV.	ECN No.	DESCRIPTION	DATE	CHKD
A	10459	RELEASED FOR PRODUCTION		

TITLE	SCALE	DATE	DR	DWG	REV
KO130B-A126	1.5:1	12/8/99	MM	K200241	A

**E-SWITCH**®

THE INFORMATION CONTAINED IN THIS DOCUMENT IS PROPRIETARY TO E-SWITCH AND IS NOT TO BE COPIED OR TRANSMITTED