

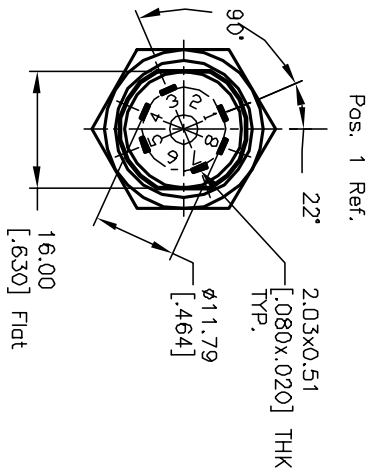
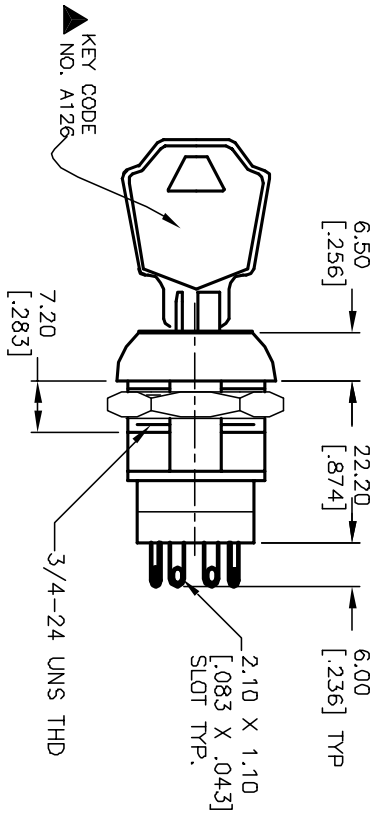
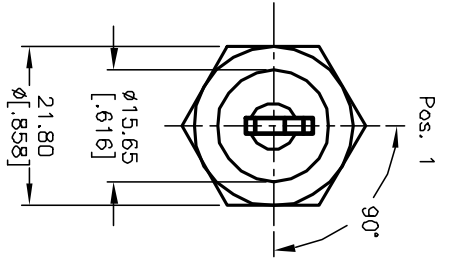
Excellent Integrated System Limited

Stocking Distributor

Click to view price, real time Inventory, Delivery & Lifecycle Information:

[E-Switch](#)
[KO130QA126](#)

For any questions, you can email us directly:
sales@integrated-circuit.com

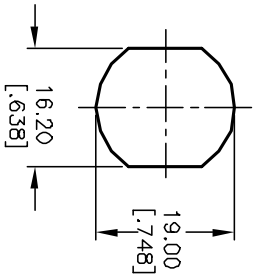


NOTES:

1. ALL DIMENSIONS IN MM [INCH]
2. GENERAL TOLERANCE: X.X=±0.4
X.XX=±0.25
3. TERM. NOS. FOR REF. ONLY
4. CONTACT RATING: 4A @125VAC/28VDC, 2A @250VAC
5. DIELECTRIC STRENGTH: 1KV RMS min. at sea level
6. ELECTRICAL LIFE: 10,000 make-and-break cycles at full load.
7. MATERIALS:

CONTACTS: Silver Plated CU (Q Contact material)
 TERMINALS: GOLD Plated Cu (Q Contact material)
 MOUNTING NUT: Nickel Plated zinc alloy
 CONTACT SPRING: Piano Wire
 KEYS (Z): Brass with code no. A126
 LOCK: Bright Ni plated zinc alloy with NI facing
 TUMBLER Mechanism: 4-disc tumbler cylinder.

RECOMMENDED PANEL LAYOUT

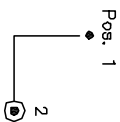


LEGEND

- =Detent Positions (45° or 90°)
- ⊙ =key pull possible in these positions

SWITCH FUNCTION	CONNECTED TERMINAL #
POS. 1	POS. 2
8-1, 4-5	1-3, 5-7

CIRCUIT: DP (90° INDEXING)
 CONTACT CONFIGURATION



REV.	ECN No.	DESCRIPTION	DATE	CHKD
C	11722	REMOVED TABULATION	10/10/01	CJB

TITLE	SCALE	DATE	DR	DWG	REV
KO130Q-A126	1:1	10/10/01	CJB	K200243	C



THE INFORMATION CONTAINED IN THIS DOCUMENT IS PROPRIETARY TO E-SWITCH AND IS NOT TO BE COPIED OR TRANSMITTED