

Excellent Integrated System Limited

Stocking Distributor

Click to view price, real time Inventory, Delivery & Lifecycle Information:

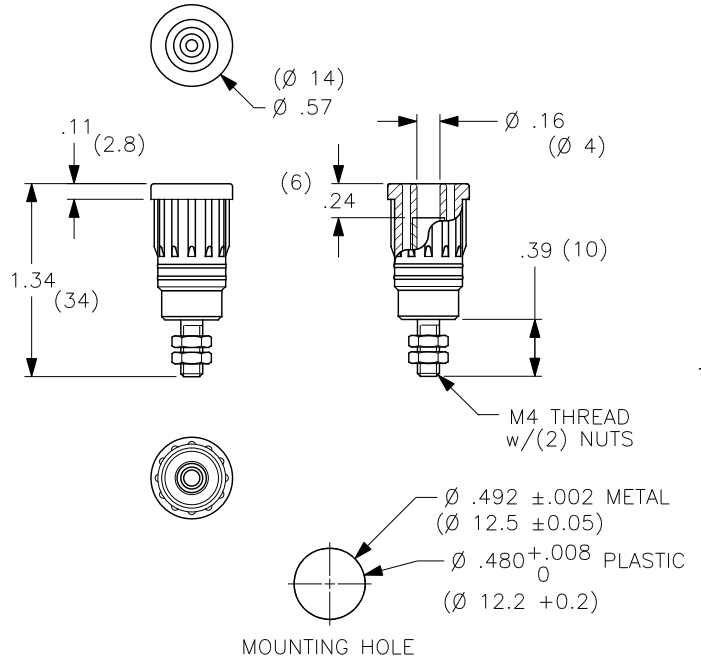
[B&K Precision](#)
[CT2243-1](#)

For any questions, you can email us directly:
sales@integrated-circuit.com

THIS IS ISSUED IN STRICT CONFIDENCE THAT IT IS NOT USED AS A BASIS FOR MANUFACTURE OR SALE AND THAT IT IS NOT COPIED, REPRINTED OR DISCLOSED TO A THIRD PARTY EITHER WHOLLY OR IN PART WITHOUT THE PRIOR WRITTEN CONSENT OF CAL TEST ELECTRONICS, INC.

- PUSH-IN, 4mm SAFETY BANANA JACK w/M4 THREADED STUD, 2 NUTS.
- SPECIFICATIONS:
 INSULATOR: POLYAMIDE (NYLON).
 CONTACT: BRASS, NICKEL PLATED.
- RATING:
 VOLTAGE: 1,000 V CAT III/600 V CAT IV P2 (IEC61010-031)
 CURRENT: 36 A MAX.
 RESISTANCE: <5 mΩ.
 TEMPERATURE: -20° C TO +80° C.
- MOUNTING HOLE: REF. DIAGRAM.
- SUGGESTED PANEL THICKNESS FOR PRESS-FIT SUPPORT:
 PLASTIC: >0.08" (2).
 METAL: >0.06" (1.5).

REVISIONS			
REV.	DESCRIPTIONS	DATE	APPROVED
-	CLASS A RELEASED	7/12/99	
A	BODY CONFIGURATION CHANGE; DIM. 1.10 WAS 1.07; ADDED NOTE 5.	3/1/05	



PART NUMBER

CT2243-#

- COLOR:
- 0 - BLACK
 - 1 - BROWN
 - 2 - RED
 - 3 - ORANGE (SPECIAL)
 - 4 - YELLOW
 - 5 - GREEN
 - 6 - BLUE
 - 7 - PURPLE
 - 8 - GRAY
 - 9 - WHITE

THIRD ANGLE PROJECTION		UNLESS OTHERWISE SPECIFIED DIMENSIONS ARE IN INCHES TOLERANCES ARE: FRACTIONS DECIMALS ± 1/32 .XX ± .02 .XXX ± .005 DO NOT SCALE DRAWING	CONTRACT NO.		Cal Test Electronics 22820 Savi Ranch Parkway Yorba Linda, CA 92887-4610			
			APPROVALS DRAWN WDH 7/12/99		TITLE 4mm PUSH-IN SAFETY JACK, w/M4 STUD			
MATERIAL		CHECKED		SIZE	CAGE CODE	DWG. NO.	REV.	
FINISH		ENGR.		A	43F45	P224300	A	
NEXT ASSY		DESIGN ACTIVITY		SCALE	SHEET			
APPLICATION				1:1	1 OF 1			