

Excellent Integrated System Limited

Stocking Distributor

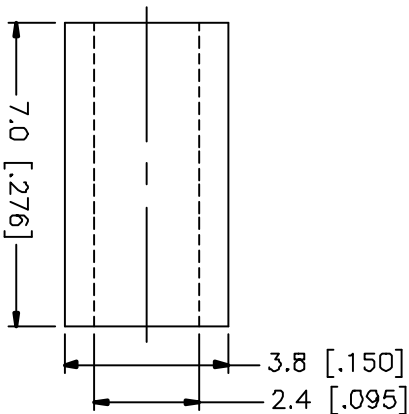
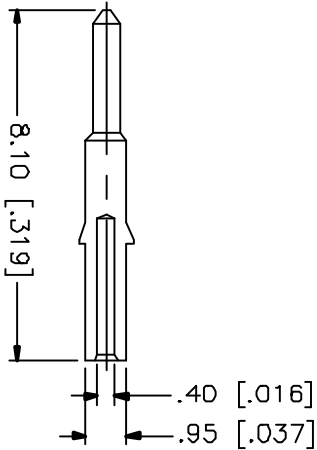
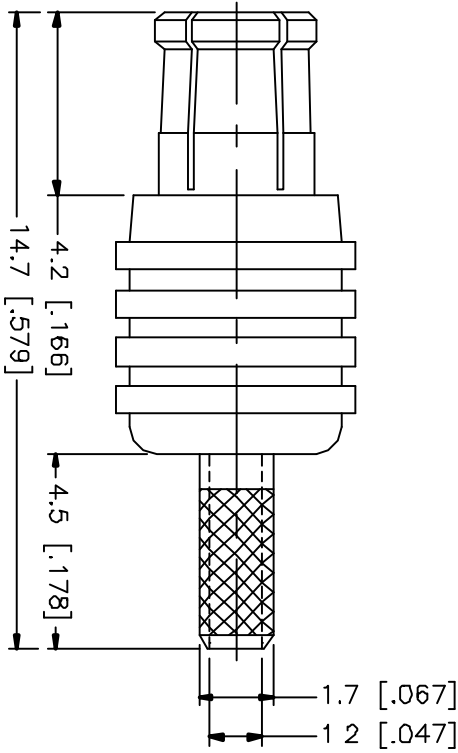
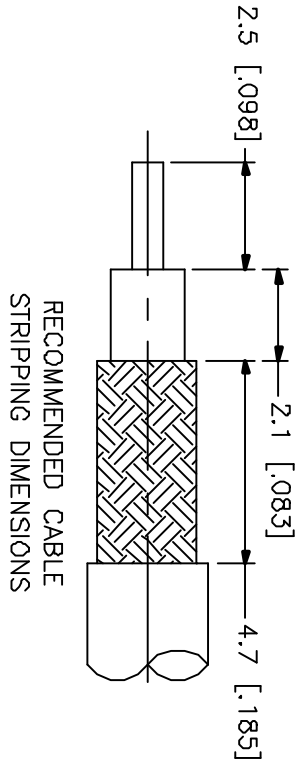
Click to view price, real time Inventory, Delivery & Lifecycle Information:

[Amphenol RF](#)
[252126](#)

For any questions, you can email us directly:

sales@integrated-circuit.com

REV.	DATE	DESCRIPTION
A	01/12/02	MODIFY FERRULE LENGTH



DESCRIPTION	MATERIAL	FINISH	UNLESS OTHERWISE SPECIFIED DIMENSIONS ARE IN MILLIMETERS DIMENSIONS IN [] ARE IN INCHES FOR CUSTOMER REFERENCE ONLY		APPROVALS	DATE	TITLE			
1 HOUSING	BRASS	NICKEL	UNLESS OTHERWISE SPECIFIED DIMENSIONS ARE IN MILLIMETERS DIMENSIONS IN [] ARE IN INCHES FOR CUSTOMER REFERENCE ONLY UNLESS OTHERWISE SPECIFIED TOLERANCES FOR MILLIMETERS ARE: 0.5-6 = ± 0.2 6-30 = ± 0.4 30-120 = ± 0.6 120-315 = ± 1 315-1000 = ± 1.6 1000-2000 = ± 2.4		DRAWN	G.R.S.	01/12/02	comnex Connector Corporation MCX STRAIGHT CRIMP PLUG (FOR 178/u, 196/u CABLE) DWG. NO. 252126.DWG		
2 BODY	BER. COPPER	NICKEL			CHECKED	ISSUED				
3 INSULATOR	TEFLON	NATURAL								
4 INSULATOR	TEFLON	NATURAL								
5 CONTACT PIN	BRASS	GOLD 30 UM								
6 FERRULE	COPPER	NICKEL								
7										
8										
DO NOT SCALE DRAWING			SCALE	NA	PART NO.	252126	SHEET	1	OF	1
			REV.	A						