



Distributor of ASSMANN WSW Components: Excellent Integrated System Limited
Datasheet of AU-Y1005-2 - Connector Receptacle USB TypeA 2.0 4 Position Through Hole,
Right Angle, Horizontal

Contact us: sales@integrated-circuit.com Website: www.integrated-circuit.com

Excellent Integrated System Limited

Stocking Distributor

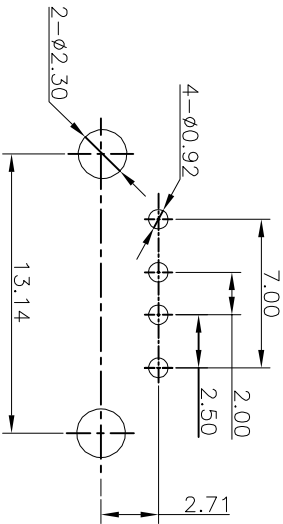
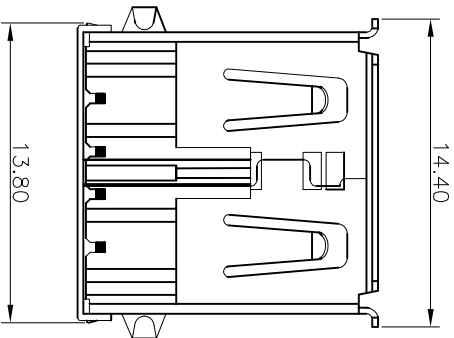
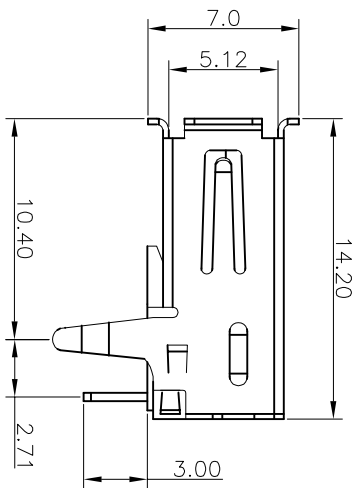
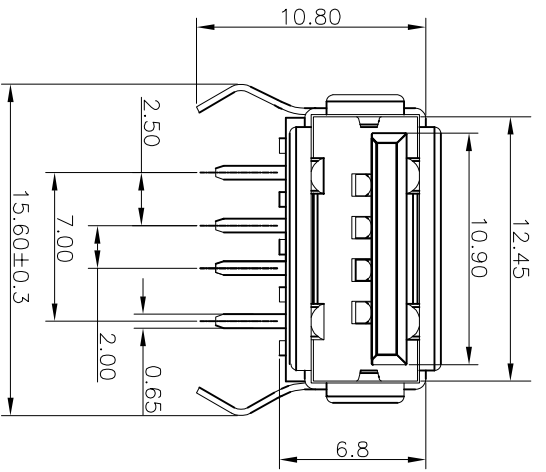
Click to view price, real time Inventory, Delivery & Lifecycle Information:

[ASSMANN WSW Components](#)
[AU-Y1005-2](#)

For any questions, you can email us directly:

sales@integrated-circuit.com

Contact us: sales@integrated-circuit.com Website: www.integrated-circuit.com



RECOMMENDED P.C.B. LAYOUT
 (TOLERANCE:±0.05)

NOTES:

1. Material:
 - 1.1 Housing: PBT+30%GF UL94V-0, Color White
 - 1.2 Shell: Brass
 - 1.3 Contact :Phosphor Bronze
2. FINISH:
 - 2.1 Contact Area: Selective 30u"Au
 - Solder Area: Tin Plated
 - Under: Ni Plated
3. MECHANICAL:
 - 3.1 Mating Force: 3.57kgf Max.
 - 3.2 Unmating Force: 1.02kgf Min
 - 3.3 Durability: 1500 cycles Min
4. ELECTRICAL:
 - 4.1 Current Rating: 1.5A
 - 4.2 Dielectric Strength: 500V AC FOR 1 MINUTE
 - 4.3 Contact Resistance: 30mΩ Max
 - 4.4 Insulation Resistance: 1000 MΩ Min
 5. Operating temperature: -55°C TO +85°C
 6. PACKING: Tray

RoHS compliant

Scale	Free				
TOLERANCE					
.X	±0.30				
.XX	±0.20				
.XXX	±0.10				
DIM					
X.°	±5°				
Angle	TOL				
UNIT	mm				

Scale	Free				
Drawn	14.07.2014	Winnie			
Approved	14.07.2014	Winnie			

Customer-No.	ASSMANN WSW-No.	Drawing-No.	Replace	SHEET
	AU-Y1005-2	ASS 6506 CO	rev00	

1 2 3 4 5 6 7