



**Distributor of Molex Connector Corporation: Excellent Integrated System Limited**  
Datasheet of 0190070073 - Connector Quick Connect Receptacle 14-16 AWG 0.250"  
(6.35mm) Crimp

Contact us: [sales@integrated-circuit.com](mailto:sales@integrated-circuit.com) Website: [www.integrated-circuit.com](http://www.integrated-circuit.com)

---

## **Excellent Integrated System Limited**

Stocking Distributor

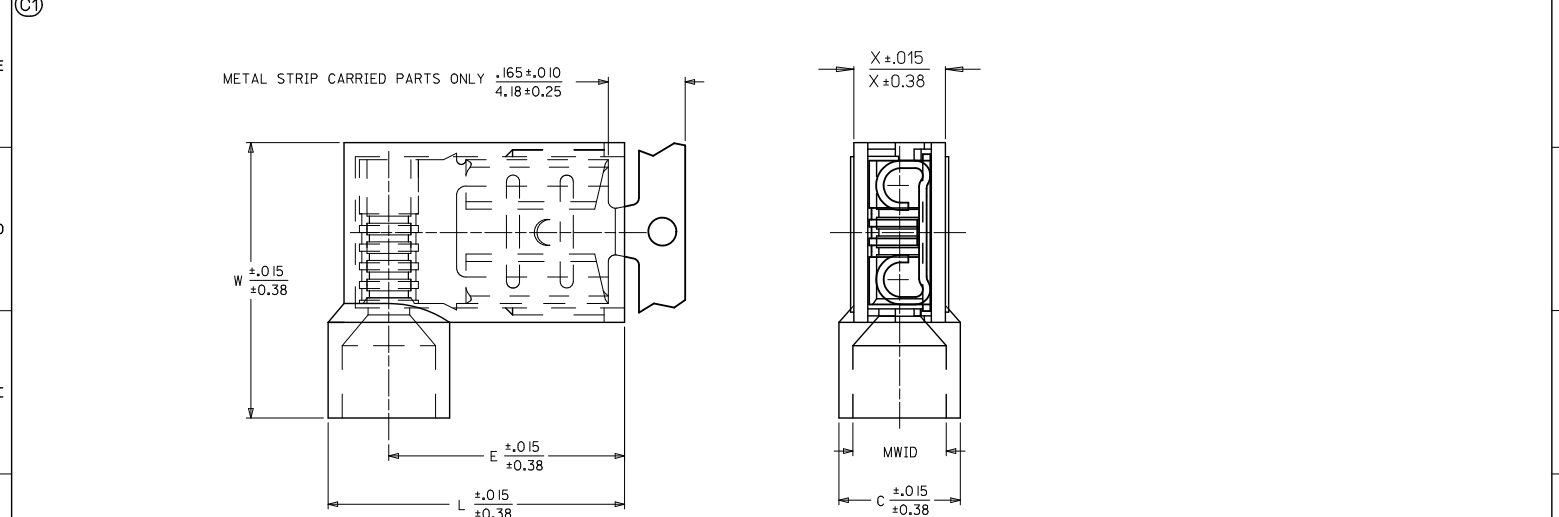
Click to view price, real time Inventory, Delivery & Lifecycle Information:

[Molex Connector Corporation](#)  
[0190070073](#)

For any questions, you can email us directly:  
[sales@integrated-circuit.com](mailto:sales@integrated-circuit.com)

Contact us: sales@integrated-circuit.com Website: www.integrated-circuit.com

PART NO.	CARRIER STYLE	AWG	COLOR	MWID	TAB SIZE	E	C	L	W	X
190070064	LOOSE	22-18	RED	.176/4.47	.250 X .032	.512/13.00	.236/5.99	.630/16.00	.585/14.86	.197/5.00
190070065	TAPE	22-18	RED	.176/4.47	.250 X .032	.512/13.00	.236/5.99	.630/16.00	.585/14.86	.197/5.00
190070066	STRIP	22-18	RED	.176/4.47	.250 X .032	.512/13.00	.236/5.99	.630/16.00	.585/14.86	.197/5.00
190070073	LOOSE	16-14	BLUE	.200/5.08	.250 X .032	.500/12.70	.260/6.60	.630/16.00	.585/14.86	.197/5.00
190070074	TAPE	16-14	BLUE	.200/5.08	.250 X .032	.500/12.70	.260/6.60	.630/16.00	.585/14.86	.197/5.00
190070075	STRIP	16-14	BLUE	.200/5.08	.250 X .032	.500/12.70	.260/6.60	.630/16.00	.585/14.86	.197/5.00
190070082	LOOSE	12-10	YELLOW	.260/6.60	.250 X .032	.511/12.98	.311/7.90	.667/16.93	.677/17.20	.246/6.25
190070083	TAPE	12-10	YELLOW	.260/6.60	.250 X .032	.511/12.98	.311/7.90	.667/16.93	.677/17.20	.246/6.25
190070084	STRIP	12-10	YELLOW	.260/6.60	.250 X .032	.511/12.98	.311/7.90	.667/16.93	.677/17.20	.246/6.25



SALES DRAWING

- NOTES:  
 1. MWID = MAX. WIRE INSULATION DIA.  
 2. MATERIAL:  
 HOUSING: NYLON 6/6 94V-0 RATING  
 TERMINAL: TIN PLATED BRASS  
 3. PARTS ARE ROHS COMPLIANT.

P/N TYPO EC NO: ETC2006-0048 DRAWN: LOMASTRO 2005/09/26 CHKD: PAULICKI 2005/09/28 APPR: RDEROSS 2005/09/28	QUALITY SYMBOLS ▽=0 ▽=0	GENERAL TOLERANCES (UNLESS SPECIFIED) mm INCH 4 PLACES ± --- ± --- 3 PLACES ± --- ± --- 2 PLACES ± --- ± --- 1 PLACE ± --- ± --- ANGULAR ±1/2°	DIMENSION STYLE IN/MM DRAWN BY HBEITZEL DATE 01/06/05 CHECKED BY RDEROSS DATE 01/06/05 APPROVED BY RDEROSS DATE 01/06/05	SCALE DESIGN UNITS INCH THIRD ANGLE PROJECTION	TITLE FLAG FIQD INSULKRIMP 94V-0 MATERIAL 0250X .032 TAB
	DRAFT WHERE APPLICABLE MUST REMAIN WITHIN DIMENSIONS	MATERIAL NO. SEE CHART	DOCUMENT NO. SD-19007-002	SHEET NO. 1 OF 1	
	THIS DRAWING CONTAINS INFORMATION THAT IS PROPRIETARY TO MOLEX INCORPORATED AND SHOULD NOT BE USED WITHOUT WRITTEN PERMISSION				
	SIZE B				