

## Excellent Integrated System Limited

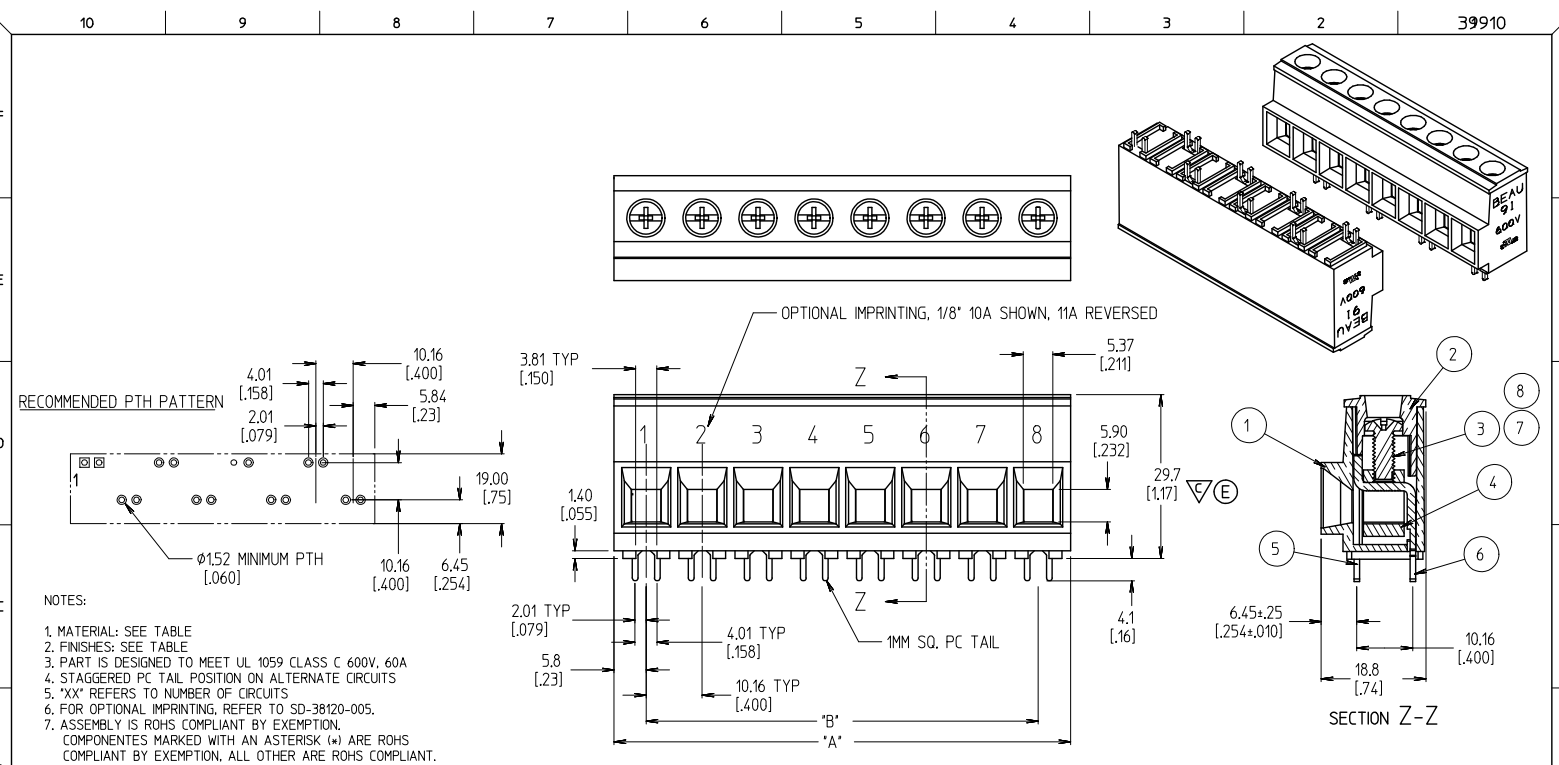
Stocking Distributor

Click to view price, real time Inventory, Delivery & Lifecycle Information:

[Molex Connector Corporation](#)  
[0399100103](#)

For any questions, you can email us directly:

[sales@integrated-circuit.com](mailto:sales@integrated-circuit.com)



NOTES:

1. MATERIAL: SEE TABLE
2. FINISHES: SEE TABLE
3. PART IS DESIGNED TO MEET UL 1059 CLASS C 600V, 60A
4. STAGGERED PC TAIL POSITION ON ALTERNATE CIRCUITS
5. "XX" REFERS TO NUMBER OF CIRCUITS
6. FOR OPTIONAL IMPRINTING, REFER TO SD-38120-005.
7. ASSEMBLY IS ROHS COMPLIANT BY EXEMPTION. COMPONENTS MARKED WITH AN ASTERISK (\*) ARE ROHS COMPLIANT BY EXEMPTION. ALL OTHER ARE ROHS COMPLIANT.

|      |      |                           |               |            |
|------|------|---------------------------|---------------|------------|
| 8    | XX   | SCREW, M4 X 0.7 POZI-SLOT | ST. STEEL     | PASSIVATED |
| 7    | XX   | SCREW, M4 X 0.7 SLOTTED   | BRONZE        | TIN        |
| 6    | A/R  | REAR TERMINAL             | COPPER        | TIN        |
| 5    | A/R  | FRONT TERMINAL            | COPPER        | TIN        |
| 4    | XX   | CAGE (*)                  | BRASS         | NICKEL     |
| 3    | XX   | SCREW, M4 X 0.7 POZI-SLOT | BRONZE        | TIN        |
| 2    | 1    | COVER                     | THERMOPLASTIC | BLACK      |
| 1    | 1    | BODY                      | THERMOPLASTIC | BLACK      |
| ITEM | QTY. | DESCRIPTION               | MATERIAL      | FINISH     |

|   |                               |   |         |                          |                            |                                 |                      |                              |                     |
|---|-------------------------------|---|---------|--------------------------|----------------------------|---------------------------------|----------------------|------------------------------|---------------------|
| ADD. CTG. DIM.<br>EC NO: IPG2013-1881<br>DRAWN: ENCLMS 2013/09/19<br>CHKD: MACNEIL 2013/09/19<br>APPR: MACNEIL 2013/09/24 | QUALITY SYMBOLS<br>▽=0<br>▽=1 | GENERAL TOLERANCES (UNLESS SPECIFIED)   |         | DIMENSION STYLE<br>MM/IN |                            | SCALE<br>3:2                    | DESIGN UNITS<br>INCH | THIRD ANGLE PROJECTION       |                     |
|   |                               | 4 PLACES ±.--- ±.---<br>3 PLACES ±.--- ±.005<br>2 PLACES ±0.13 ±.01<br>1 PLACE ±0.3 ±.--- | mm INCH | DRAWN BY<br>GHR          | DATE<br>2000/09/13         | TITLE<br>SR BTS 6 AWG, 600V 60A |                      |                              |                     |
|   |                               | ANGULAR ± 2°  |         | CHECKED BY<br>R. KEMP    | DATE<br>2002/09/13         | APPROVED BY<br>L. RÖTHAUS       |                      |                              |                     |
|   |                               | DRAFT WHERE APPLICABLE MUST REMAIN WITHIN DIMENSIONS                                      |         | DATE<br>2002/09/27       | MATERIAL NO.<br>SEE SHT. 2 | MOLEX INCORPORATED              |                      | DOCUMENT NO.<br>SD-39910-001 | SHEET NO.<br>1 OF 2 |

1b\_Frame\_B IP\_ME\_T Rev. D 2004/04/02

10 9 8 7 6 5 4 3 2 39910

| NO. OF CIRCUITS | DIM. "A" |      | DIM. "B" |       | STANDARD  | OPTIONAL 10A IMPRINT | OPTIONAL 11A IMPRINT | MATERIAL NUMBER        |                                      |                                      |                                |
|-----------------|----------|------|----------|-------|-----------|----------------------|----------------------|------------------------|--------------------------------------|--------------------------------------|--------------------------------|
|                 | mm       | in   | mm       | in    |           |                      |                      | OPTIONAL SLOTTED SCREW | OPTIONAL SLOTTED SCREW W/10A IMPRINT | OPTIONAL SLOTTED SCREW W/11A IMPRINT | OPTIONAL STAINLESS STEEL SCREW |
|                 | 02       | 21.8 | 0.86     | 10.16 |           |                      |                      | 0.400                  | 399100102                            | 399120102                            | 399130102                      |
| 03              | 32.0     | 1.26 | 20.32    | 0.800 | 399100103 | 399120103            | 399130103            | 399100403              | 399120403                            | 399130403                            | 399100703                      |
| 04              | 42.2     | 1.66 | 30.48    | 1.200 | 399100104 | 399120104            | 399130104            | 399100404              | 399120404                            | 399130404                            | 399100704                      |
| 05              | 52.3     | 2.06 | 40.64    | 1.600 | 399100105 | 399120105            | 399130105            | 399100405              | 399120405                            | 399130405                            | 399100705                      |
| 06              | 62.5     | 2.46 | 50.80    | 2.000 | 399100106 | 399120106            | 399130106            | 399100406              | 399120406                            | 399130406                            | 399100706                      |
| 07              | 72.6     | 2.86 | 60.96    | 2.400 | 399100107 | 399120107            | 399130107            | 399100407              | 399120407                            | 399130407                            | 399100707                      |
| 08              | 82.8     | 3.26 | 71.12    | 2.800 | 399100108 | 399120108            | 399130108            | 399100408              | 399120408                            | 399130408                            | 399100708                      |
| 09              | 93.0     | 3.66 | 81.28    | 3.200 | 399100109 | 399120109            | 399130109            | 399100409              | 399120409                            | 399130409                            | 399100709                      |
| 10              | 103.1    | 4.06 | 91.44    | 3.600 | 399100110 | 399120110            | 399130110            | 399100410              | 399120410                            | 399130410                            | 399100710                      |
| 11              | 113.3    | 4.46 | 101.60   | 4.000 | 399100111 | 399120111            | 399130111            | 399100411              | 399120411                            | 399130411                            | 399100711                      |
| 12              | 123.4    | 4.86 | 111.76   | 4.400 | 399100112 | 399120112            | 399130112            | 399100412              | 399120412                            | 399130412                            | 399100712                      |
| 13              | 133.6    | 5.26 | 121.92   | 4.800 | 399100113 | 399120113            | 399130113            | 399100413              | 399120413                            | 399130413                            | 399100713                      |
| 14              | 143.8    | 5.66 | 132.08   | 5.200 | 399100114 | 399120114            | 399130114            | 399100414              | 399120414                            | 399130414                            | 399100714                      |

|  |   |   |  |  |                                 |
|--|---|---|--|--|---------------------------------|
| SEE SHEET 1<br>EC NO: ICG2013-1881<br>DRAWN: ENCIMS 2013/09/19<br>CHKD: MACNEIL 2013/09/19<br>APPR: MACNEIL 2013/09/24 | QUALITY SYMBOLS<br>▽=0<br>▽=0   | GENERAL TOLERANCES (UNLESS SPECIFIED)<br>mm INCH<br>4 PLACES ± --- ± ---<br>3 PLACES ± --- ± .005<br>2 PLACES ± 0.13 ± .01<br>1 PLACE ± 0.3 ± ---<br>ANGULAR ± 2° | DIMENSION STYLE<br>MM/IN<br>DRAWN BY DATE<br>GHR 2000/09/13<br>CHECKED BY DATE<br>R. KEMP 2002/09/13<br>APPROVED BY DATE<br>L. ROTHHAUS 2002/09/27 | SCALE<br>3:2<br>DESIGN UNITS<br>INCH<br>THIRD ANGLE PROJECTION | TITLE<br>SR BTS 6 AWG, 600V 60A |
|  | MATERIAL NO.<br>SEE CHART   | DOCUMENT NO.<br>SD-39910-001  | MOLEX INCORPORATED   | SHEET NO.<br>2 OF 2  |                                 |
|  | DRAFT WHERE APPLICABLE MUST REMAIN WITHIN DIMENSIONS  |   |  |  |                                 |
|  | THIS DRAWING CONTAINS INFORMATION THAT IS PROPRIETARY TO MOLEX INCORPORATED AND SHOULD NOT BE USED WITHOUT WRITTEN PERMISSION |   |  |  |                                 |

9 8 7 6 5 4 3 2 1