

Excellent Integrated System Limited

Stocking Distributor

Click to view price, real time Inventory, Delivery & Lifecycle Information:

[Global Power Technologies Group](#)

[GP1M006A065CH](#)

For any questions, you can email us directly:

sales@integrated-circuit.com

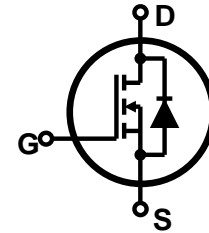
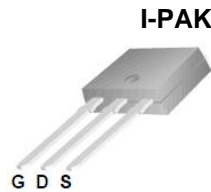
Features

- Low gate charge
- 100% avalanche tested
- Improved dv/dt capability
- RoHS compliant
- Halogen free package
- JEDEC Qualification

$$V_{DSS} = 715 \text{ V @ } T_{jmax}$$

$$I_D = 5.5A$$

$$R_{DS(on)} = 1.6 \Omega(\text{max}) @ V_{GS} = 10 \text{ V}$$



Device	Package	Marking	Remark
GP1M006A065CH	D-PAK	GP1M006A065CH	Halogen Free
GP1M006A0465PH	I-PAK	GP1M006A0465PH	Halogen Free

Absolute Maximum Ratings

Parameter	Symbol	Value	Unit
Drain-Source Voltage	V_{DSS}	650	V
Gate-Source Voltage	V_{GS}	±30	V
Continuous Drain Current	I_D	$T_C = 25 \text{ }^\circ\text{C}$	5.5
		$T_C = 100 \text{ }^\circ\text{C}$	3.46
Pulsed Drain Current (Note 1)	I_{DM}	22	A
Single Pulse Avalanche Energy (Note 2)	E_{AS}	196.6	mJ
Repetitive Avalanche Current (Note 1)	I_{AR}	5.5	A
Repetitive Avalanche Energy (Note 1)	E_{AR}	12	mJ
Power Dissipation	P_D	$T_C = 25 \text{ }^\circ\text{C}$	120
		Derate above 25 °C	0.96
Peak Diode Recovery dv/dt (Note 3)	dv/dt	4.5	V/ns
Operating Junction and Storage Temperature Range	T_J, T_{STG}	-55~150	°C
Maximum lead temperature for soldering purposes, 1/8" from case for 5 seconds	T_L	300	°C

* Limited only by maximum junction temperature

Thermal Characteristics

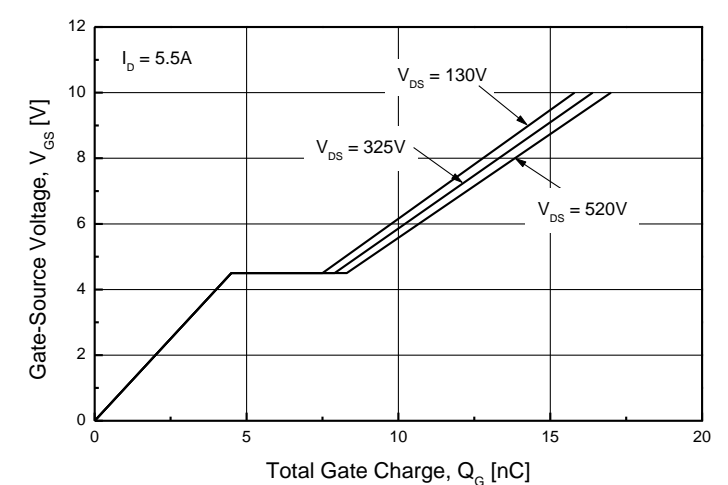
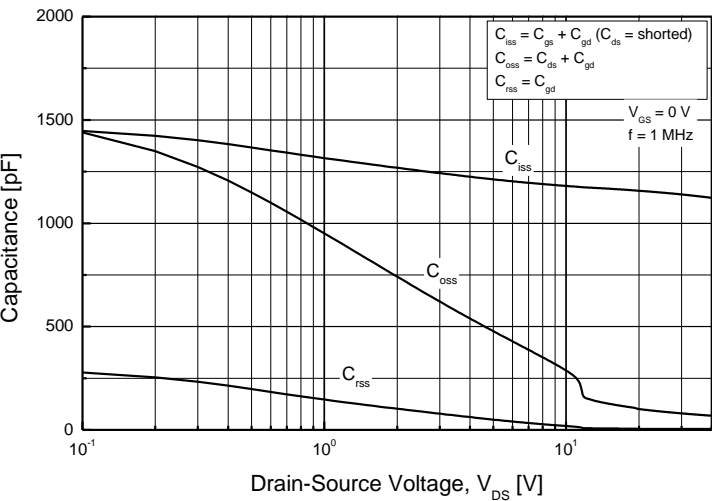
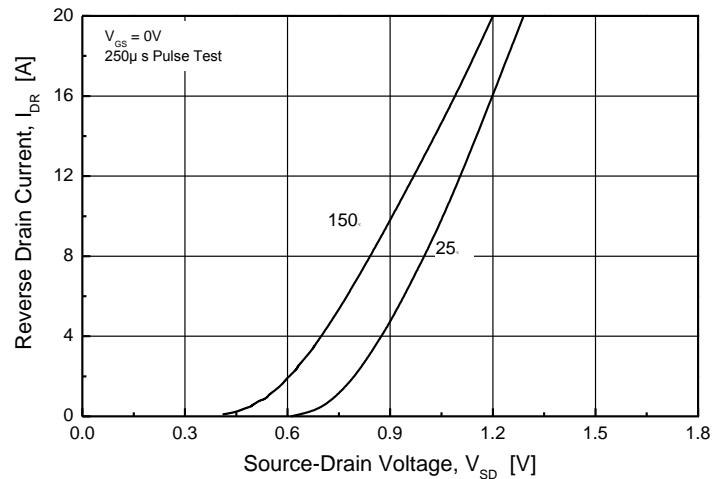
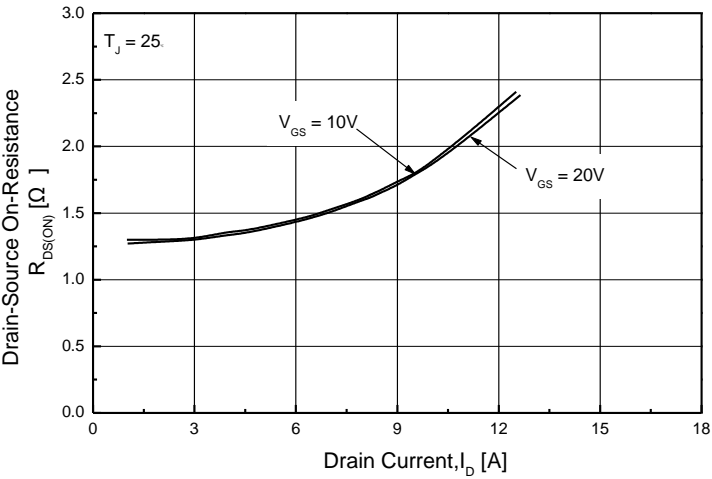
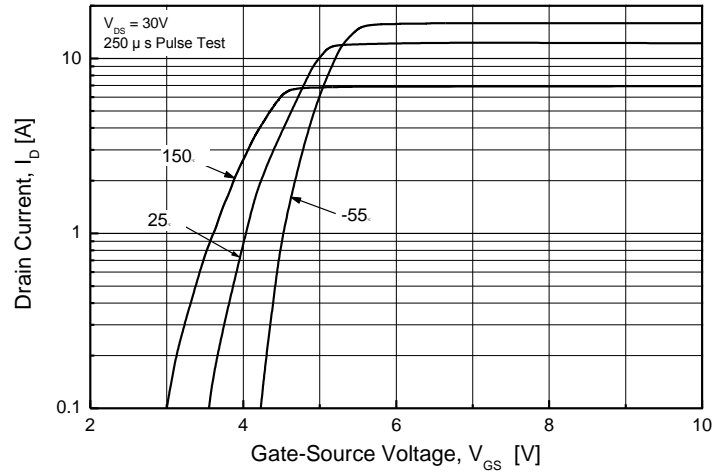
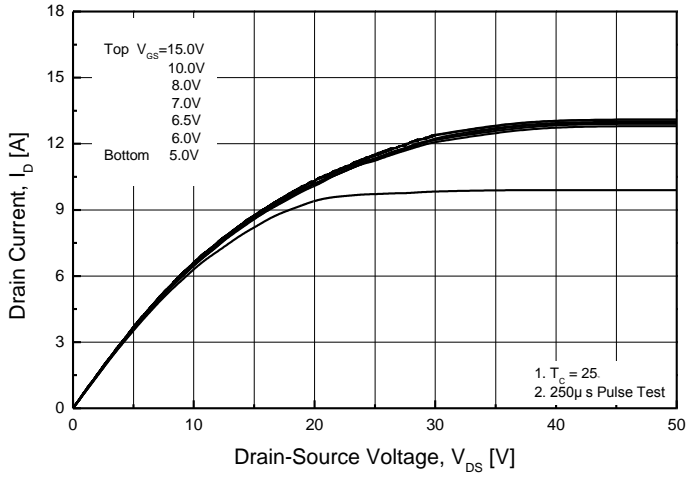
Parameter	Symbol	Value	Unit
Maximum Thermal resistance, Junction-to-Case	$R_{\theta JC}$	1.04	°C/W
Maximum Thermal resistance, Junction-to-Ambient	$R_{\theta JA}$	110	°C/W

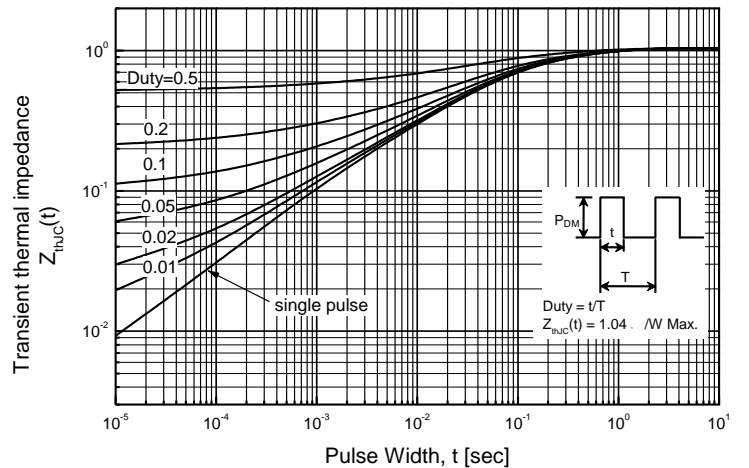
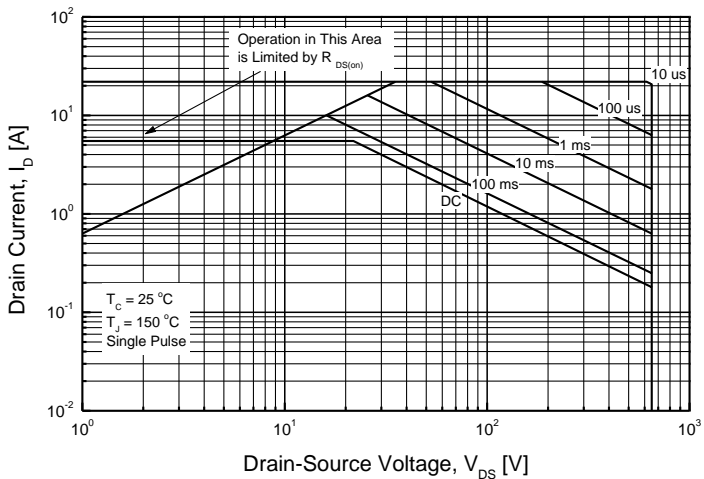
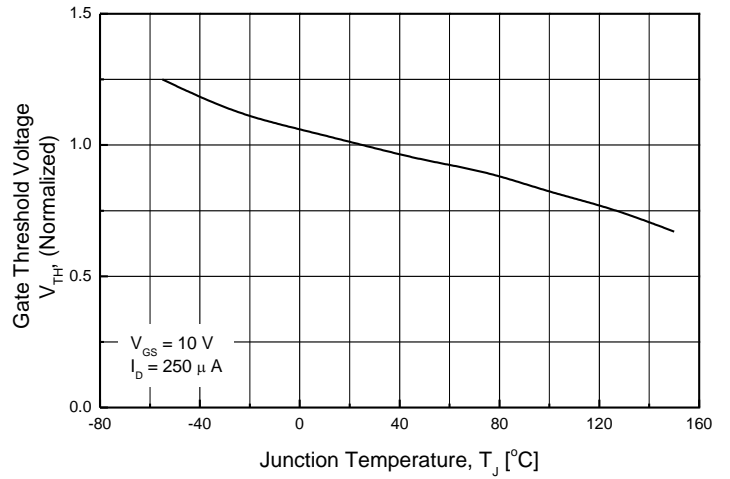
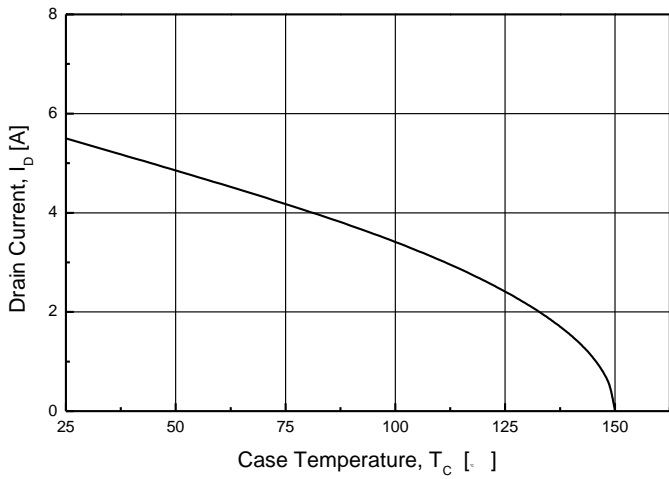
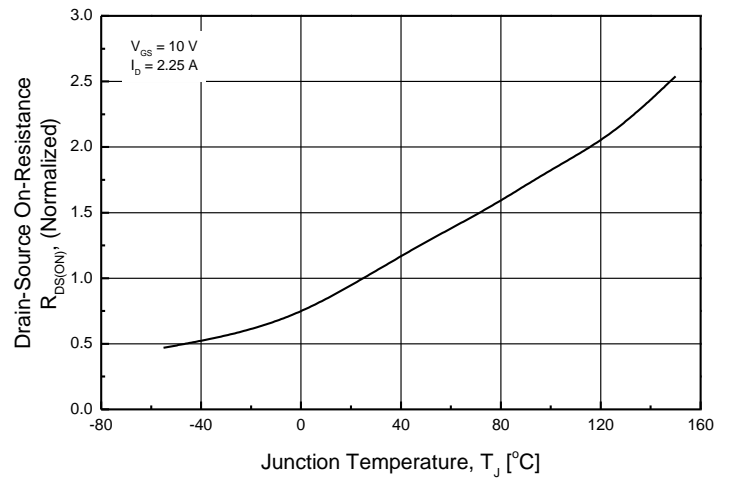
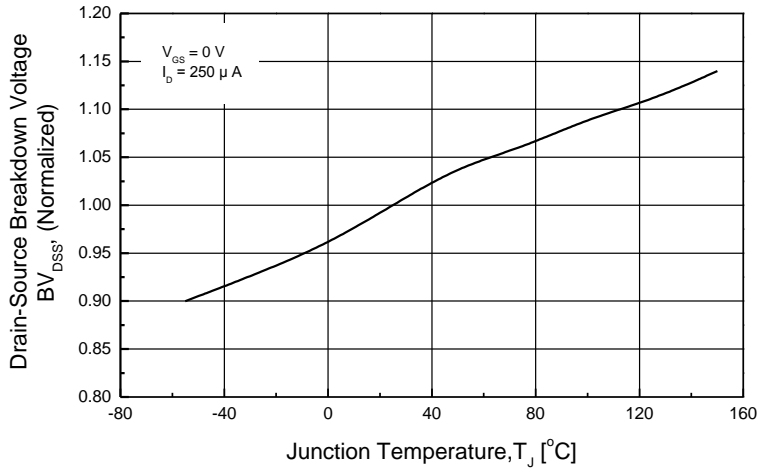
Electrical Characteristics : $T_C=25^\circ\text{C}$, unless otherwise noted

Parameter	Symbol	Test condition	Min	Typ	Max	Units
OFF						
Drain-Source Breakdown Voltage	BV_{DSS}	$V_{GS} = 0\text{ V}, I_D = 250\ \mu\text{A}$	650	--	--	V
Zero Gate Voltage Drain Current	I_{DSS}	$V_{DS} = 650\text{ V}, V_{GS} = 0\text{ V}$	--	--	1	μA
		$V_{DS} = 520\text{ V}, T_C = 125^\circ\text{C}$	--	--	10	μA
Forward Gate-Source Leakage Current	I_{GSSF}	$V_{GS} = 30\text{ V}, V_{DS} = 0\text{ V}$	--	--	100	nA
Reverse Gate-Source Leakage Current	I_{GSSR}	$V_{GS} = -30\text{ V}, V_{DS} = 0\text{ V}$	--	--	-100	nA
ON						
Gate Threshold Voltage	$V_{GS(th)}$	$V_{DS} = V_{GS}, I_D = 250\ \mu\text{A}$	2	--	4	V
Drain-Source On-Resistance	$R_{DS(on)}$	$V_{GS} = 10\text{ V}, I_D = 2.75\text{ A}$	--	1.28	1.6	Ω
Forward Transconductance (Note 4)	g_{FS}	$V_{DS} = 30\text{ V}, I_D = 2.75\text{ A}$	--	7.2	--	S
DYNAMIC						
Input Capacitance	C_{iss}	$V_{DS} = 25\text{ V}, V_{GS} = 0\text{ V},$ $f = 1.0\text{ MHz}$	--	1177	--	pF
Output Capacitance	C_{oss}		--	90	--	pF
Reverse Transfer Capacitance	C_{rss}		--	5.2	--	pF
SWITCHING						
Turn-On Delay Time (Note 4,5)	$t_{d(on)}$	$V_{DD} = 325\text{ V}, I_D = 5.5\text{ A},$ $R_G = 25\ \Omega$	--	46	--	ns
Turn-On Rise Time (Note 4,5)	t_r		--	30	--	ns
Turn-Off Delay Time (Note 4,5)	$t_{d(off)}$		--	141	--	ns
Turn-Off Fall Time (Note 4,5)	t_f		--	56	--	ns
Total Gate Charge (Note 4,5)	Q_g	$V_{DS} = 520\text{ V}, I_D = 5.5\text{ A},$ $V_{GS} = 10\text{ V}$	--	17	--	nC
Gate-Source Charge (Note 4,5)	Q_{gs}		--	4.7	--	nC
Gate-Drain Charge (Note 4,5)	Q_{gd}		--	3.6	--	nC
SOURCE DRAIN DIODE						
Maximum Continuous Drain-Source Diode Forward Current	I_S	----	--	--	5.5	A
Maximum Pulsed Drain-Source Diode Forward Current	I_{SM}	----	--	--	22	A
Drain-Source Diode Forward Voltage	V_{SD}	$V_{GS} = 0\text{ V}, I_S = 5.5\text{ A}$	--	--	1.5	V
Reverse Recovery Time (Note 4)	t_{rr}	$V_{GS} = 0\text{ V}, I_S = 5.5\text{ A}$ $di_F / dt = 100\text{ A}/\mu\text{s}$	--	342	--	ns
Reverse Recovery Charge (Note 4)	Q_{rr}		--	2.8	--	μC

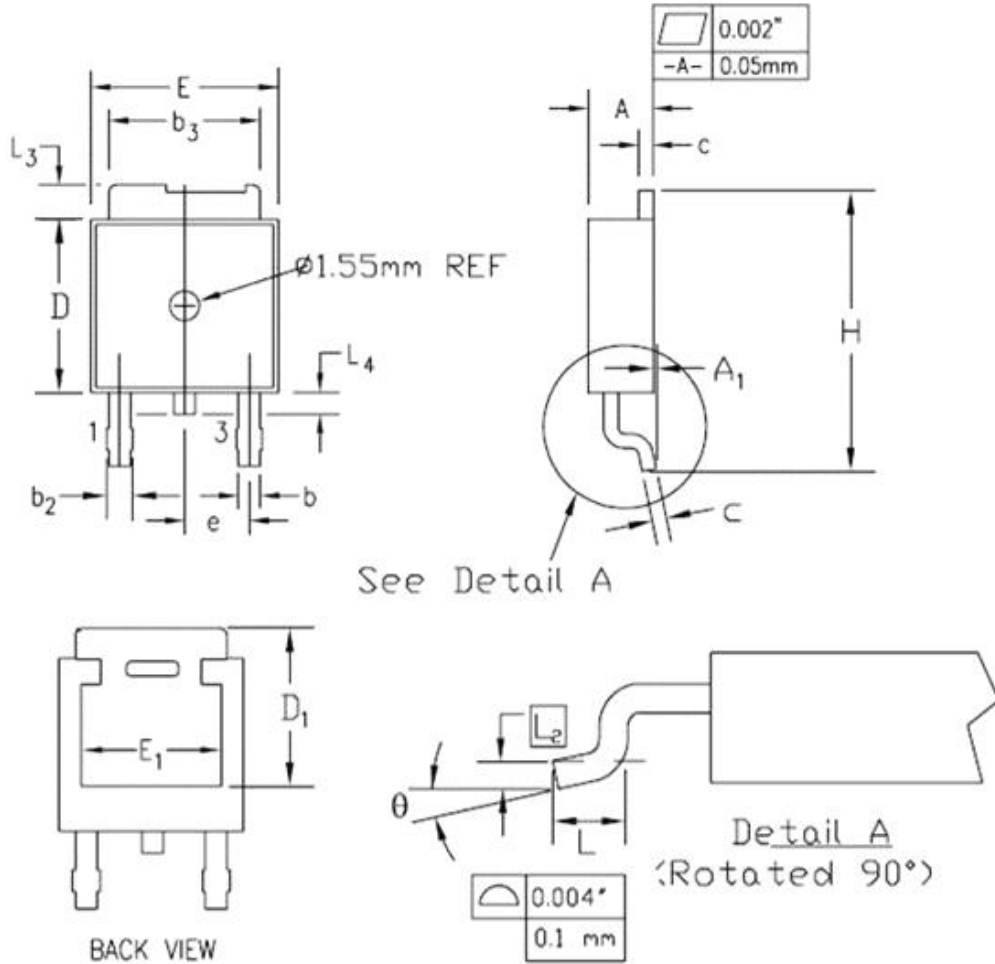
Note :

1. Repeated rating : Pulse width limited by safe operating area
2. $L=12\text{mH}, I_{AS} = 5.5\text{A}, V_{DD} = 50\text{V}, R_G = 25\ \Omega$, Starting $T_J = 25^\circ\text{C}$
3. $I_{SD} \leq 5.5\text{A}, di/dt \leq 200\text{A}/\mu\text{s}, V_{DD} \leq BV_{DS}$, Starting $T_J = 25^\circ\text{C}$
4. Pulse Test : Pulse width $\leq 300\ \mu\text{s}$, Duty Cycle $\leq 2\%$
5. Essentially Independent of Operating Temperature Typical Characteristics



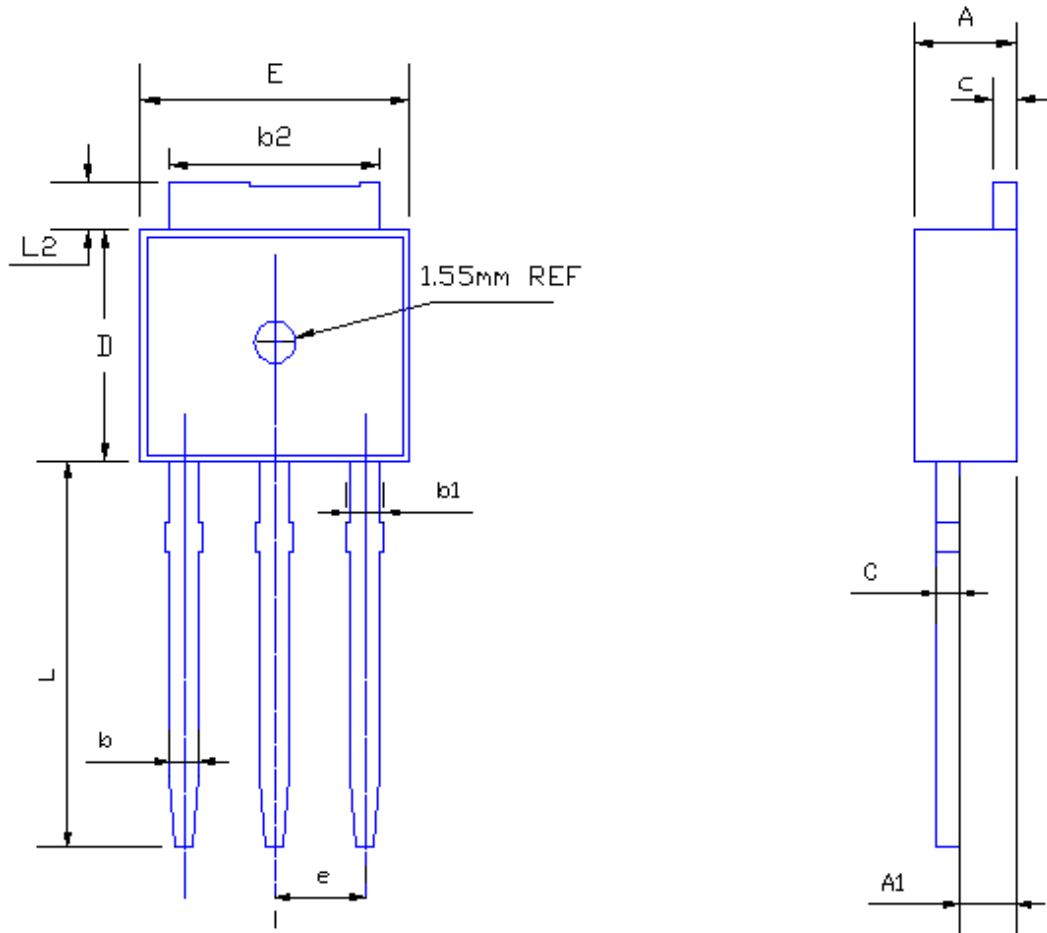


TO-252 (D-PAK) MECHANICAL DATA



SYMBOL	INCHES		MILLIMETERS		NOTES
	MIN.	MAX.	MIN.	MAX.	
A	0.086	0.094	2.19	2.38	
A ₁	—	0.005	—	0.13	
b	0.025	0.035	0.64	0.89	
b ₂	0.033	0.045	0.84	1.14	
b ₃	0.205	0.215	5.21	5.46	
c	0.018	0.024	0.46	0.61	
D	0.235	0.245	5.97	6.22	
D ₁	0.205	—	5.21	—	2
E	0.250	0.265	6.35	6.73	
E ₁	0.190	—	4.83	—	2
e	0.090 BSC		2.29 BSC		
H	0.380	0.410	9.65	10.41	
L	0.055	0.070	1.40	1.78	4
L ₂	0.020 BSC		0.51 BSC		
L ₃	0.035	0.050	0.89	1.27	
L ₄	0.025	0.040	0.64	1.01	3
θ	0°	8°	0°	8°	

TO-251 (I-PAK) MECHANICAL DATA



SYMBOL	MILLIMETERS	
	MIN	MAX
A	2.19	2.38
A1	1.04	1.23
b	0.64	0.89
b1	0.84	1.14
b2	5.23	5.48
c	0.46	0.61
D	5.91	6.28
E	6.21	6.59
e	2.28 TYP	
L	8.89	9.65
L2	0.89	1.27

Disclaimer :

Global Power Technologies Group reserves the right to make changes without notice to products herein to improve reliability, performance, or design. The information given in this document is believed to be accurate and reliable. However, it shall in no event be regarded as a guarantee of conditions and characteristics. With respect to any information regarding the application of the device, Global Power Technologies Group hereby disclaims any and all warranties and liabilities of any kind, including without limitation, warranties of non-infringement of patent rights of any third party.