

Excellent Integrated System Limited

Stocking Distributor

Click to view price, real time Inventory, Delivery & Lifecycle Information:

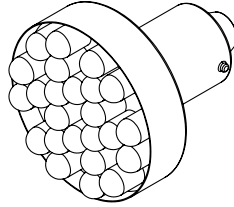
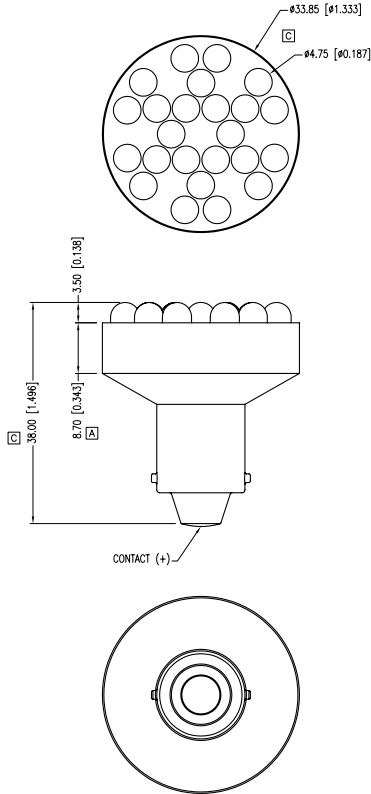
[Lumex, Inc.](#)
[SSP-24MB156U12G](#)

For any questions, you can email us directly:

sales@integrated-circuit.com

UNCONTROLLED DOCUMENT

PART NUMBER	SSP-24MB156U12G		REV.	C
DATE	E.C.N. NUMBER AND REVISION COMMENTS			REV.
01.30.03	E.C.N. #10950.			A
07.18.04	E.C.N. #10BRDR. & REDRAWN.			B
12.19.11	E.C.N. #11787 & #10BRDR. & REDRAWN.			C



ELECTRO-OPTICAL CHARACTERISTICS T _a =25°C V _f =12V				
PARAMETER	MIN	TYP	MAX	UNITS TEST COND
PEAK WAVELENGTH		626		nm
FORWARD VOLTAGE		12.0		Vf
REVERSE VOLTAGE	5.0			Vr If=100µA
AXIAL INTENSITY		102,400		mcd Vf=12V
VIEWING ANGLE		30		2x theta
EMITTED COLOR:	RED			
LENS FINISH:	WATER CLEAR			

LIMITS OF SAFE OPERATION AT 25°C		
PARAMETER	MAX	UNITS
PEAK FORWARD VOLTAGE	14.0	V
STEADY CURRENT	140	mA
POWER DISSIPATION	1,960	mW
DERATE FROM 25°C	-1.2	mW/°C
OPERATING TEMP.	-40 TO +85	°C
STORAGE TEMP.	-40 TO +85	°C

*UNLESS OTHERWISE SPECIFIED TOLERANCES PER DECIMAL PRECISION ARE: X=±1 (±0.039), XX=±0.5 (±0.020), XXX=±0.25 (±0.010), XXXX=±0.127 (±0.005). LEAD SIZE=±0.05 (±0.002), LEAD LENGTH=±0.75 (±0.030). MIN= ^{+DECIMAL PRECISION} _{-0.00} MAX= ^{+0.00} _{-DECIMAL PRECISION} UNCONTROLLED DOCUMENT



290 E. HELEN ROAD
 PALATINE, IL 60067-6976
 PHONE: +1.847.359.2790
 FAX: +1.847.359.6538
 WEB: WWW.LUMEX.COM

1.28" CIRCULAR, 24 LAMP, 626nm SUPER RED, WATER CLEAR, BA15 BASE, SINGLE CONTACT AUTO BAYONET.

THE SPECIFICATIONS MAY CHANGE AT ANY TIME WITHOUT NOTICE DUE TO NEW MATERIALS OR PRODUCT IMPROVEMENT.

CONFIDENTIAL INFORMATION

THE INFORMATION CONTAINED IN THIS DOCUMENT IS THE PROPERTY OF LUMEX INC. EXCEPT AS SPECIFICALLY AUTHORIZED IN WRITING BY LUMEX INC., THE HOLDER OF THIS DOCUMENT SHALL KEEP ALL INFORMATION CONTAINED HEREIN CONFIDENTIAL AND SHALL PROTECT SAME IN WHOLE OR IN PART FROM DISCLOSURE AND DISSEMINATION TO ALL THIRD PARTIES.

DATE:	12.19.11	DRAWN BY:	AB
PAGE:	1 OF 1	CHKD BY:	DT
SCALE:	NTS	APRVD BY:	JD
UNIT:	mm [INCH]		