

## Excellent Integrated System Limited

Stocking Distributor

Click to view price, real time Inventory, Delivery & Lifecycle Information:

[TE Connectivity AMP Connectors](#)  
[226601-1](#)

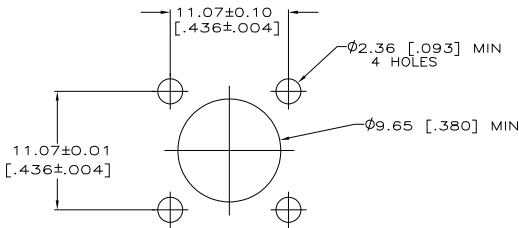
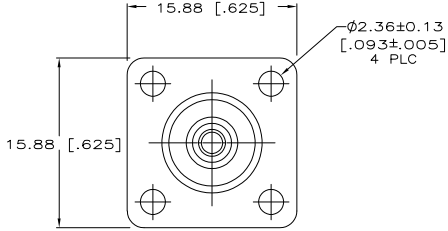
For any questions, you can email us directly:

[sales@integrated-circuit.com](mailto:sales@integrated-circuit.com)

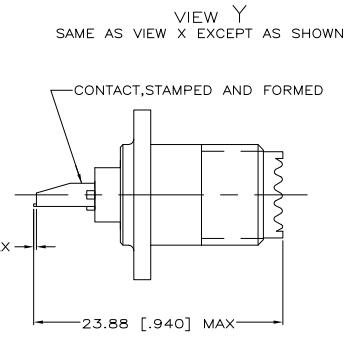
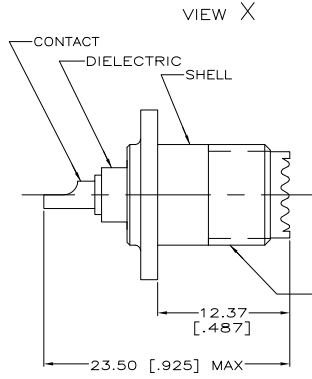
THIS DRAWING IS UNPUBLISHED. RELEASED FOR PUBLICATION. BY TYCO ELECTRONICS CORPORATION. ALL RIGHTS RESERVED.

LOC	DIST	REVISIONS			
#	LTR	DESCRIPTION	DATE	OWN	APPD
AJ	16	H1	REVISED PER ECO-04-018709	18SEP2006	MC   JH

- ▲ ZINC PER QQ-Z-363
- ▲ PTFE PER MIL-P-19468
- ▲ PHOS BRONZE PER QQ-B-750
- ▲ POLYMETHYLPENTENE GENERAL PURPOSE
- ▲ BRASS PER QQ-B-626
- ▲ TIN PL PER MIL-T-10727, 3.81μm [.000150] MIN THK
- ▲ TIN PL PER MIL-T-10727B TYPE 2, 2.54μm [.000100] MIN THK
- ▲ NICKEL PL PER QQ-N-290, 3.81μm [.000150] MIN THK
- ▲ TIN PL PER MIL-T-10727B TYPE 2, 2.54μm [.000100] MIN THK (POST PLATED)
- ▲ BLACK CHROMATE PLATE OVER ZINC PLATE PER ASTM-B-633
- ▲ BLACK NICKEL PLATE



RECOMMENDED PANEL CUTOUT



OBSOLETE	Y	▲	▲	▲	▲	▲	226601-6
OBSOLETE	Y	▲	▲	▲	▲	▲	226601-5
OBSOLETE	X	▲	▲	▲	▲	▲	226601-4
OBSOLETE	Y	▲	▲	▲	▲	▲	226601-3
OBSOLETE	Y	▲	▲	▲	▲	▲	226601-2
OBSOLETE	X	▲	▲	▲	▲	▲	226601-1
		VIEW	SHELL	DIELECTRIC	CONTACT	PART NO	

THIS DRAWING IS A CONTROLLED DOCUMENT. DW: M. SNEED 6-25-91 OR: R. HENRY 6-25-91

INCHES: UNLESS OTHERWISE SPECIFIED. DIMENSIONS: 0.100 INCHES AND SMALLER: 0.005 INCHES; 0.100 INCHES TO 0.250 INCHES: 0.008 INCHES; 0.250 INCHES TO 0.500 INCHES: 0.010 INCHES; 0.500 INCHES TO 1.000 INCHES: 0.015 INCHES; 1.000 INCHES TO 2.000 INCHES: 0.020 INCHES; 2.000 INCHES TO 5.000 INCHES: 0.030 INCHES; 5.000 INCHES TO 10.000 INCHES: 0.040 INCHES; 10.000 INCHES TO 25.000 INCHES: 0.050 INCHES; 25.000 INCHES TO 50.000 INCHES: 0.075 INCHES; 50.000 INCHES TO 100.000 INCHES: 0.100 INCHES.

APPLICABLE SPECIFICATIONS: MIL-C-26251 (RECEPTACLE, PANEL, MINIATURE UHF)

MATERIAL: SEE TABLE. FINISH: SEE TABLE. WEIGHT: -. SIZE: A2. CASE CODE: 00779. DRAWING NO: 226601. RESTRICTED TO: -

CUSTOMER DRAWING. SCALE: 4:1. SHEET: 1 of 1. REV: H1.